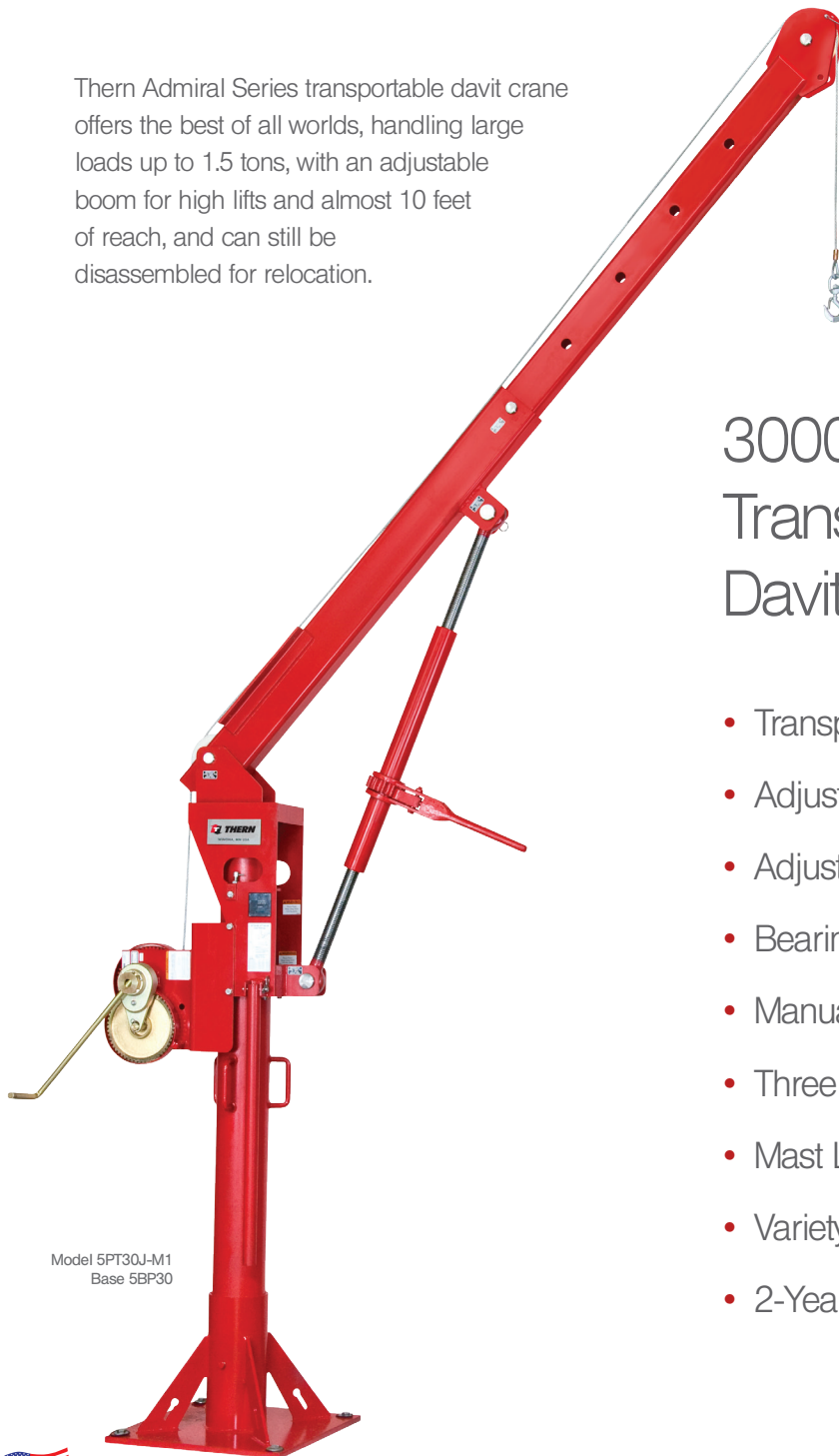


ADMIRAL SERIES

Thern Admiral Series transportable davit crane offers the best of all worlds, handling large loads up to 1.5 tons, with an adjustable boom for high lifts and almost 10 feet of reach, and can still be disassembled for relocation.



Model 5PT30J-M1
Base 5BP30

3000 lb Capacity Transportable Davit Crane

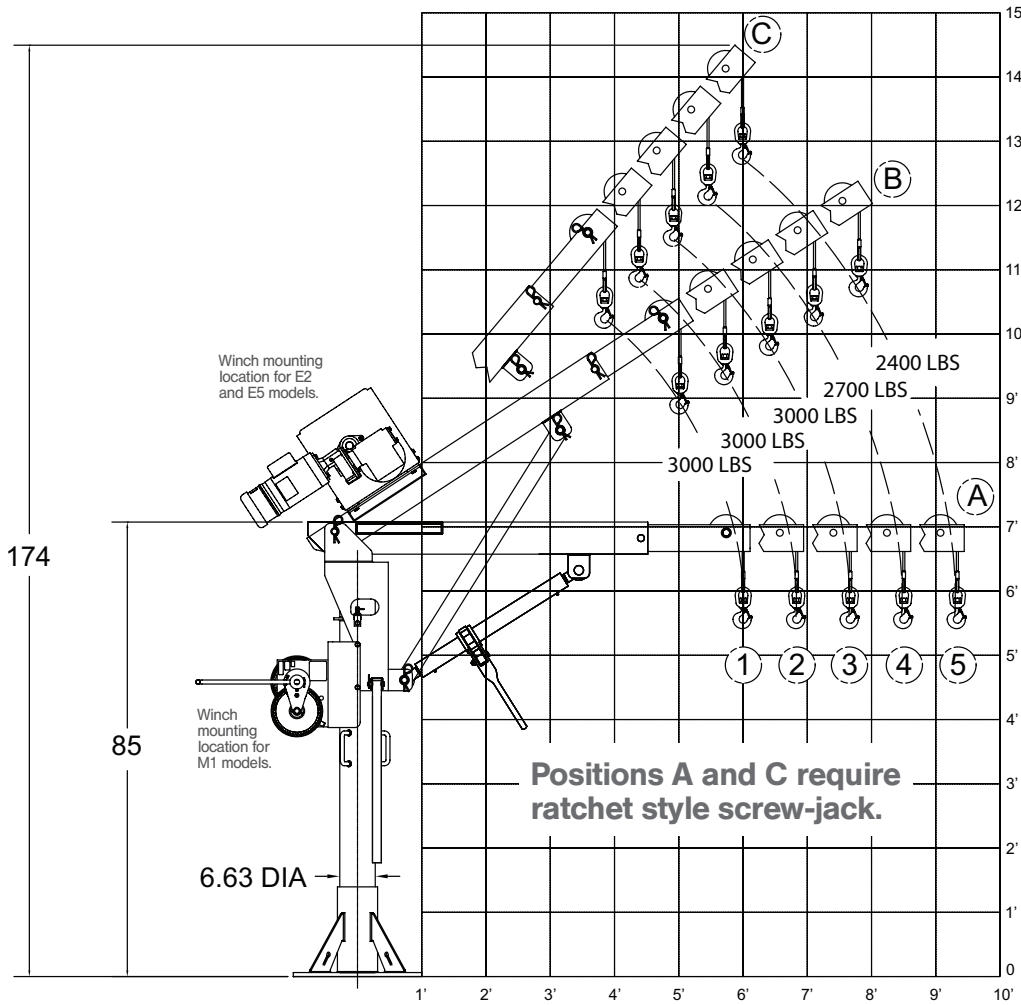
- Transportable
- Adjustable 5 Boom Lengths
- Adjustable Boom Angle
- Bearings for Smooth 360° Rotation
- Manual or Power Winch Operation
- Three Corrosion-Resistant Finishes
- Mast Locks in Six Positions
- Variety of Bases
- 2-Year Warranty



PERFORMANCE

Series 5PT30 with Pedestal Base

ADMIRAL 3000

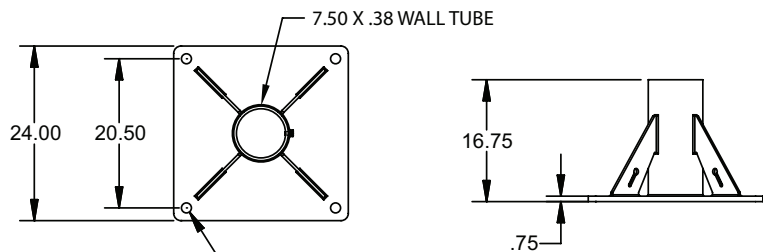


Admiral 5PT30 On Pedestal Base Upright Reach & Height Above Floor

Boom Position	Hook Reach		Hook Height	
	(in)	(mm)	(in)	(mm)
A-1	72	1829	66	1677
A-2	82	2083	66	1677
A-3	92	2337	66	1677
A-4	102	2591	66	1677
A-5	112	2845	66	1677
B-1 (fixed)	60	1524	106	2693
B-2 (fixed)	69	1753	112	2845
B-3 (fixed)	77	1956	117	2972
B-4 (fixed)	85	2159	123	3125
B-5 (fixed)	94	2388	128	3252
C-1*	46	1169	122	3099
C-2*	53	1347	130	3302
C-3*	59	1499	137	3480
C-4*	66	1677	145	3683
C-5*	72	1829	153	3887

* Boom position requires purchasing the screw-jack.
Dimensions are for reference only and subject to change without notice.

Pedestal Base



IMPORTANT:

It is the owner or operator's responsibility to determine the suitability of the equipment to its intended use. Study all applicable codes, manuals and regulations. Be sure to read the Owner's Manual supplied with the equipment before operating it.

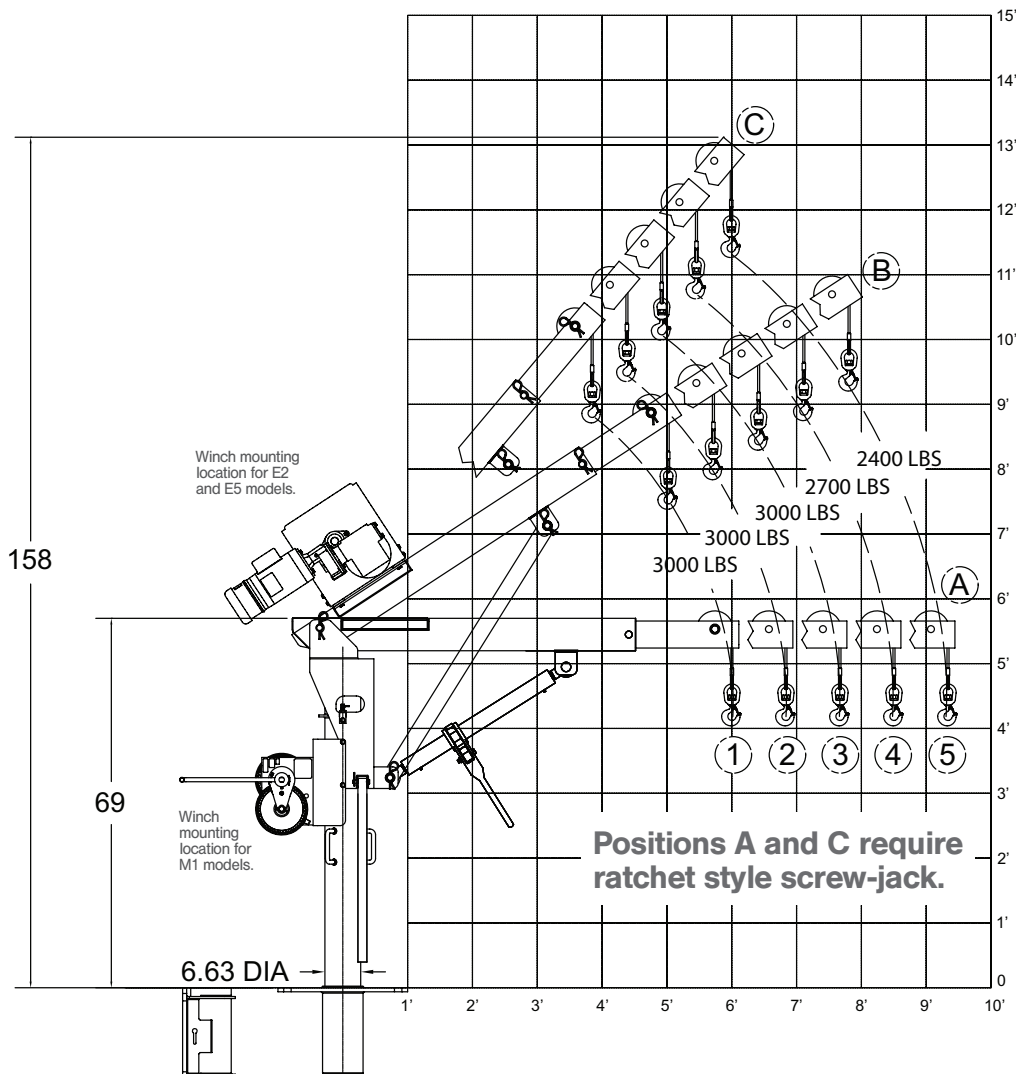
These products are not for lifting people or things over people.

PERFORMANCE

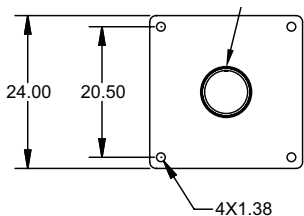
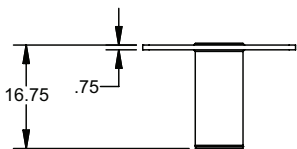


3000

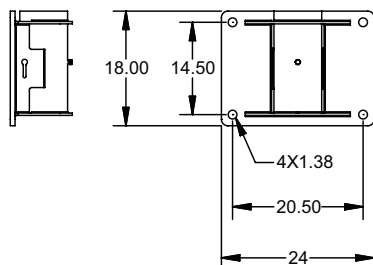
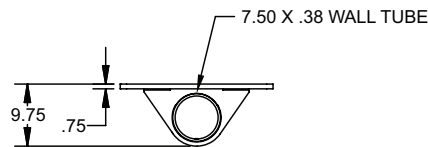
Series 5PT30 with Socket or Wall Mount Base



Socket Base



Wall Base



Admiral 5PT30 On Pedestal Base
Upright Reach & Height Above Floor

Boom Position	Hook Reach		Hook Height	
	(in)	(mm)	(in)	(mm)
A-1	72	1829	50	1270
A-2	82	2083	50	1270
A-3	92	2337	50	1270
A-4	102	2591	50	1270
A-5	112	2845	50	1270
B-1 (fixed)	60	1524	90	2286
B-2 (fixed)	69	1753	96	2439
B-3 (fixed)	77	1956	101	2566
B-4 (fixed)	85	2159	107	2718
B-5 (fixed)	94	2388	112	2845
C-1*	46	1169	106	2693
C-2*	53	1347	114	2896
C-3*	59	1499	121	3074
C-4*	66	1677	129	3277
C-5*	72	1829	137	3480

* Boom position requires purchasing the screw-jack.
Dimensions are for reference only and subject to change without notice.

These products are not for lifting people or things over people.

CONFIGURATIONS

Series 5PT30 Crane Configurations

Model	Description	Weight	
		(lb)	(kg)
5PT30	Up to 3000 lbs - red enamel finish - boom brace - no winch	563	256
5PT30J	Up to 3000 lbs - red enamel finish - adjustable ratchet-jack - no winch	628	285
G	galvanized finish - on crane and ratchet-jack	-	-
X	epoxy finish - on crane and ratchet-jack	-	-
M1	M452B-K spur gear hand winch - enamel finish	78	36
M1X	M452BEGRA-K spur gear hand winch epoxy finish	78	36
E2	3WG4B-K electric winch - 115 VAC, 1 phase with 6 foot pendant control - enamel finish	188	85
E2X	3WG4B-KX electric winch - 115 VAC, 1 phase with 6 foot pendant control - epoxy finish	188	85
E5A1	4WS3M6-K1A1 electric winch - 115 VAC, 1 phase with 6 foot pendant control - enamel finish	300	137
E5XA1	4WS3M6-K1XA1 electric winch - 115 VAC, 1 phase with 6 foot pendant control - epoxy finish	300	137

Series 5PT30 Bases

Model	Description	Weight	
		(lb)	(kg)
5BP30	pedestal base (upright mount) - red enamel finish	200	91
5BP30G	pedestal base (upright mount) - galvanized finish	200	91
5BP30X	pedestal base (upright mount) - epoxy finish	200	91
5BF30	socket base (flush mount) - red enamel finish	200	91
5BF30G	socket base (flush mount) - galvanized finish	200	91
5BF30X	socket base (flush mount) - epoxy finish	200	91
5BW30	wall mount base - red enamel finish	200	91
5BW30G	wall mount base - galvanized finish	200	91
5BW30X	wall mount base - epoxy finish	200	91

Series 5PT30 Wire Rope

Model	Description	Weight	
		(lb)	(kg)
WA38-28DS	3/8 inch x 28 ft - galvanized aircraft cable with swivel hook and unfinished end	8	4
WA38-36DS	3/8 inch x 36 ft - galvanized aircraft cable with swivel hook and unfinished end	10	5
WA38-45DS	3/8 inch x 45 ft - galvanized aircraft cable with swivel hook and unfinished end	11	5
WA38-60DS	3/8 inch x 60 ft - galvanized aircraft cable with swivel hook and unfinished end	14	7
WA38-75DS	3/8 inch x 75 ft - galvanized aircraft cable with swivel hook and unfinished end	17	8
WS38-28DS	3/8 inch x 28 ft - 304 stainless steel wire rope with swivel hook and unfinished end	8	4
WS38-36DS	3/8 inch x 36 ft - 304 stainless steel wire rope with swivel hook and unfinished end	10	5
WS38-45DS	3/8 inch x 45 ft - 304 stainless steel wire rope with swivel hook and unfinished end	12	6
WS38-60DS	3/8 inch x 60 ft - 304 stainless steel wire rope with swivel hook and unfinished end	15	7
WS38-75DS	3/8 inch x 75 ft - 304 stainless steel wire rope with swivel hook and unfinished end	18	9

Series 5PT30 Crane Performance Characteristics

Wire Rope			Load Rating 5PT30M1 and E5XA1					Load Rating 5PT30-E5A1** and E5XA1					Lift Below Floor Level*		
Rope Length	Rope Dia.		Position 1	Position 2	Position 3	Position 4	Position 5	Position 1	Position 2	Position 3	Position 4	Position 5	Min Below	Max Below	
(ft) (m)	(in) (mm)		(lb) (kg)	(lb) (kg)	(lb) (kg)	(lb) (kg)	(lb) (kg)	(lb) (kg)	(lb) (kg)	(lb) (kg)	(lb) (kg)	(lb) (kg)	(ft) (m)	(ft) (m)	
28 9	0.38 10		3000 1360	3000 1360	3000 1360	2700 1224	2400 1088	3000 1361	3000 1361	3000 1360	2700 1225	2400 1088	0 0	8 3	
36 11	0.38 10		3000 1360	3000 1360	3000 1360	2700 1224	2400 1088	2800 1271	2800 1271	2800 1270	2700 1225	2400 1088	8 3	16 5	
45 14	0.38 10		3000 1360	3000 1360	3000 1360	2700 1224	2400 1088	2800 1271	2800 1271	2800 1270	2700 1225	2400 1088	17 6	25 8	
60 19	0.38 10		2800 1270	2800 1270	2800 1270	2700 1224	2400 1088	2500 1134	2500 1134	2500 1133	2500 1133	2400 1088	32 10	40 13	
75 23	0.38 10		2600 1179	2600 1179	2600 1179	2400 1088	2400 1088	2200 998	2200 998	2200 997	2200 997	2200 997	47 15	55 17	

* Lift below floor level varies depending on boom position and winch configuration. For longer lifts, contact factory. ** Add 3 feet to lift below floor level for E2 and E5 models.

Wire Rope			Load Rating 5PT30-E2** and E2X					Lift Below Floor Level*		
Rope Length	Rope Dia.		Position 1	Position 2	Position 3	Position 4	Position 5	Min Below	Max Below	
(ft) (m)	(in) (mm)		(lb) (kg)	(lb) (kg)	(lb) (kg)	(lb) (kg)	(lb) (kg)	(ft) (m)	(ft) (m)	
28 9	0.38 10		3000 1360	3000 1360	3000 1360	2700 1224	2400 1088	0 0	8 3	
36 11	0.38 10		3000 1360	3000 1360	3000 1360	2700 1224	2400 1088	8 3	16 5	
45 14	0.38 10		3000 1360	3000 1360	3000 1360	2700 1224	2400 1088	17 6	25 8	
60 19	0.38 10		3000 1360	3000 1360	3000 1360	2700 1224	2400 1088	32 10	40 13	
75 23	0.38 10		3000 1360	3000 1360	3000 1360	2700 1224	2400 1088	47 15	55 17	

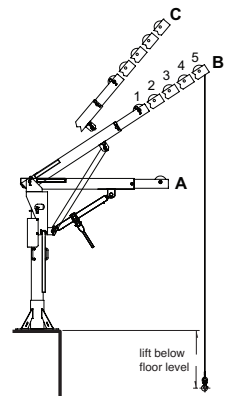
Please contact factory or nearest Them Distributor for firm, fixed price and delivery.

* Lift below floor level varies depending on boom position and winch configuration. For longer lifts, contact factory.

** Add 3 feet to lift below floor level for E2 and E5 models.

These products are not for lifting people or things over people.

Please contact factory or nearest Them Distributor for firm, fixed price and delivery.



125 McCarty Dr.
Houston, TX 77029
(713) 674-2266