

Load Monitoring products



making the lifting industry a safer place



Crosby® | **SP**®
know the load

Company Profile



Since 1976 Straightpoint's world-class, solution-based systems have been at the forefront of industrial weighing and load monitoring technology. Now a part of the Crosby Group, the largest manufacturers of rigging and lifting equipment globally, the symbiosis is seamless and has only enhanced what we can offer customers.

With UK headquarters and global dealer network, the simple to use, cost-effective product range has enhanced safety for engineers and rigging professionals worldwide for over 40 years. The engineering team design and manufacture a broad spectrum of first-class load monitoring systems to capabilities in excess of 1,500 tonnes to include:

The Crosby | Straightpoint team pride themselves on the development and distribution of world-class load monitoring, weighing and force measurement systems.

- Tension 'Link' load cells
- Cable and synthetic rope tensionmeters
- Shackle load cells
- Dynamometers
- Crane scales
- Compression load cells
- Load pins
- Software solutions

Crosby | Straightpoint wireless Windows-based software, and full line of accessories allow for the simple and easy acquisition an analysis of force and load monitoring data.

Continuously producing and adding industry leading innovations to their product catalogue; Crosby | Straightpoint provide lifting and rigging professionals with the pinnacle in solutions for lifting projects.

Such recent innovations include the introduction of the HHP App (iOS/Android). The accompanying Bluetooth wireless telemetry load cell product range, along with the latest connectivity technology, help combine it to become a highly effective remote monitoring tool.

All Crosby | Straightpoint products are fully tested and available for next-day despatch in an aluminium flight case (or wooden crate for large capacities) with full documentation, including multi-lingual manuals, certificates, or calibration/proof test and CE conformity. All products also come with a 2-year guarantee certification to reflect the confidence they have in what they provide.

- Shipping and marine
- Mining
- Transport
- Health and safety
- Entertainment
- Crane and rigging
- Salvage and decommissioning
- Oil and gas
- Construction
- Power generation
- Utilities
- Topsides
- Break bulk
- Military

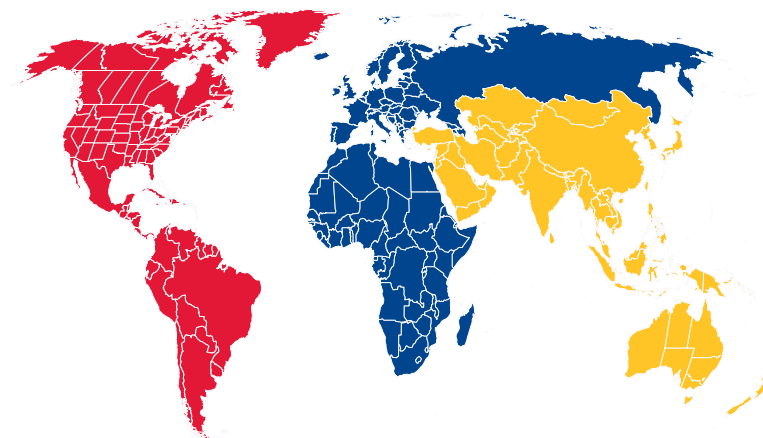
Crosby | Straightpoint's highly qualified team of product specialists are available to assist with any application, and its global network of first-class distributors ensure that wherever your location, an approved Straightpoint dealer is close by.

Crosby | Straightpoint's continued investment in research and development enables them to remain at the forefront of technological development with the world-leading products and performance to meet their customers' demands.

With hundreds of units always in stock, Crosby | Straightpoint aim to deliver any standard product up to capacities in excess of 1,500 tonnes anywhere in the world – FAST!

Pg.	Part No.	Description
02-03	RLP	Radiolink plus
04-05	WLS	Wireless Loadshackle
06-07	BLD	BlueLink Dynamometer
08-09	WNITC	LoadSafe
10-11	COLT	Clamp On Line Tensionmeter®
12-13	CS	CableSafe
14-15	TIMH	Running Line Dynamometer
16-17	Towcell®	Towcell®
18-19	INSIGHT/PTP	INSIGHT Software / Proof Test plus®
20-21	HHP App	Wireless Accessories / HHP App
22-23	HHP/SW-HHP	Wireless and Cabled HHP / Accessories
24-25	SL	Subsea link
26-27	LLP	Loadlink plus
28-29	WLP	Wirelink plus
30-31	SLB	Loadshackle
32-33	NITC	Compression Load Cell
34-35	LP	Loadpin
36-37	LBP	Loadblock plus
38-39	MWP	Miniweigher plus
40-41	-	Accreditations and Affiliations / Industries

Straightpoint Global Distribution



Accreditations

Straightpoint is an ISO9001:2008 approved company (registration number FM 584438) audited by the British Standards Institute (BSI) who are a notified UKAS body.

Straightpoint's hazardous area products are verified by SIRA, notification No: SIRA 15 ATEX M725

Members of key associations such as LEEA (Lifting Equipment Engineers Association), AWRF (American Wire Rope Fabricators) and SC&RA (Specialized Carriers & Rigging Association).

Several key personnel are members of ASME (American Society of Mechanical Engineers).



Warranty

All Straightpoint products ship with a two-year warranty.

Contact details

Crosby | Straightpoint

Unit 9, Dakota Park
Downley Road
Havant, Hampshire
PO9 2NJ · UK

Tel: +44 (0)2392 484491

2801 Dawson Road
Tulsa, OK 74110 · USA

Tel: +1 (918) 834-4611

Radiolink plus



Radiolink plus is designed to be rigged with Crosby standard shackles - DNV-GL type approved wireless tension load cell capable of weighing and dynamic load monitoring in capacities from 1t to 500t – from stock with an ATEX and IECEx version available for hazardous areas, zones 0, 1 & 2.

Three versions of the RLP are available:

- Long range 2.4GHz version providing industry-leading wireless range of 1000m or 3280ft to SP's SW-HHP handheld or software options.
- Bluetooth output and can be connected to any smart phone running SP's free HHP app on iOS or Android, at ranges up to 100m or 328ft.
- ATEX/IECEx for hazardous areas, zones 0, 1 & 2. Providing a wireless range of up to 500m or 1640ft to SW-HHP-ATEX handheld.

Constructed from high-quality aerospace grade aluminium, the RLP features an advanced internal design structure. This design provides the product with an unrivalled strength to weight ratio. The use of a separate internal sealed enclosure administers the load cell's electronic components with IP67 or NEMA6 environmental protection, even with the battery cover plate missing. All these features makes it an industry-leading dynamometer, suitable for use in the harshest of environments.

The versatile RLP is able to provide an update rate of 3Hz and can be easily configured to run at industry-leading speeds of up to 200Hz, making it ideal for dynamic force measurement.

Decades of development into this product include many stand out features such as SP's unique strain gauging method that helps compensate for wire rope torque when the Radiolink is loaded. The Radiolink plus tension load cell can also be used in combination with Crosby|Straightpoint 'INSIGHT' high speed wireless data logging software allowing for simultaneous control, display and real time data logging of up to 126 Crosby|Straightpoint wireless load cells.

A full array of wireless accessories are also available including wireless score board, overload alarm and base station with analogue (4-20mA) or 2 relay or RS485 ASCII outputs.

Features and benefits:

- Proprietary 2.4 GHz Wireless
- Remote On-Off from handheld display or software
- ATEX Zones 0, 1 & 2 available
- Design validated by F.E.A.
- 2-year warranty
- DNV-GL Type Approval
- Complies with ASME B30.26
- Bluetooth option is available and is supplied with a free HHP App for iOS and Android

Accessories available for the handheld:

Wall or Cab Mount Bracket
SP Crosby Part Nos. **SU3282 2789228**

Rugged Rubber Boot
SP Crosby Part Nos. **SU4045 2789232**

Also available with hazardous area approval. Zones 0, 1 & 2

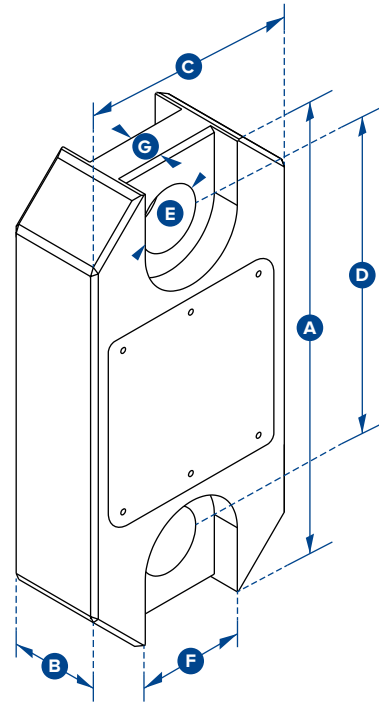


ATEX / IECEX

Ex ia II C T4 Ga

Certification numbers:
RLP ATEX
 IECEX SIR 15.0071X / Sira 15ATEX2195X
SW-HHP ATEX
 IECEX SIR 15.0072X / Sira 15ATEX2196X

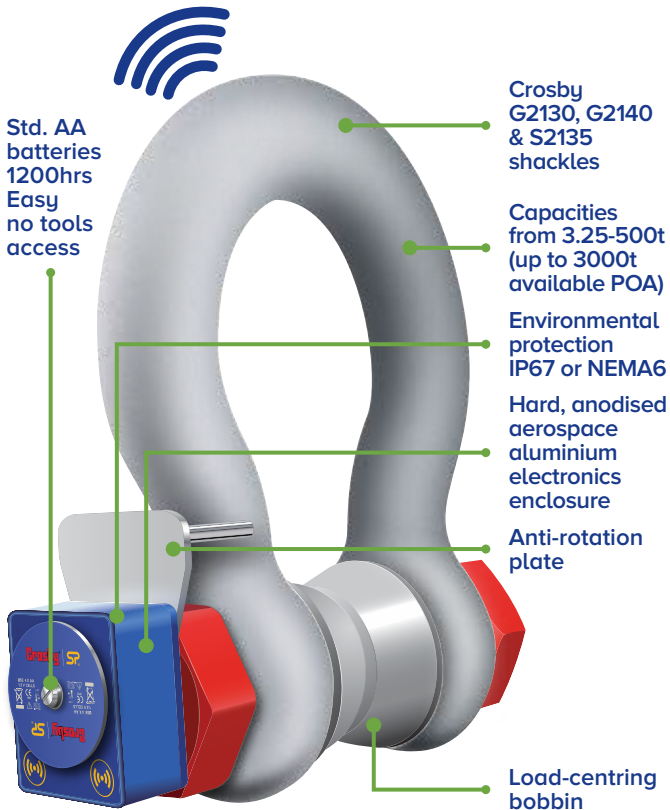
Add 'ATEX' to the part number when ordering ATEX/IECEX products. For example: RLP6T5-ATEX



Part Numbers															
SP	RLP1T	RLP2T5	RLP6T5	RLP12T	RLP25T	RLP35T	RLP55T	RLP75T	RLP100T	RLP150T	RLP200T	RLP250T	RLP300T	RLP500T	
Crosby	2789084	2789089	2789094	2789082	2789088	2789091	2789093	2789095	2789081	2789083	2789085	2789087	2789090	2789092	
Capacity	1,000kg 2200lb	2.5te 5500lb	6.5te 14300lb	12te 26000lb	25te 55000lb	35te 77000lb	55te 120000lb	75te 165000lb	100te 220000lb	150te 330000lb	200te 440000lb	250te 550000lb	300te 660000lb	500te 1100000lb	
Resolution	0.5kg 1lb	0.001te 2lb	0.001te 2lb	0.002te 5lb	0.005te 10lb	0.005te 10lb	0.01te 20lb	0.01te 20lb	0.05te 100lb	0.05te 100lb	0.1te 200lb	0.1te 200lb	0.1te 200lb	0.1te 200lb	
Units	kg lb	te lb	te lb	te lb	te lb	te lb	te lb	te lb	te lb	te lb	te lb	te lb	te lb	te lb	
Weight	1.5kg 3.3lb	1.5kg 3.3lb	2.4kg 5.3lb	3.7kg 8.2lb	5kg 11lb	8.6kg 19lb	13kg 28.7lb	16kg 35.3lb	34kg 75lb	46kg 101.4lb	82kg 180.8lb	82kg 180.8lb	118kg 260lb	193kg 425.5lb	
Safety Factor	12:1	7:1	7:1	7:1	5:1	5:1	5:1	5:1	5:1	4:1	5:1	4:1	5:1	5:1	
Battery Type	Handheld 2 x AA / Load cell 4 x AA														
Battery Life	Handheld - 40 hours / Load cell 1200 hours continuous (Load cell 500 hours if Bluetooth)														
Display Type	240 x 128 pixel Multi-line dot matrix with backlight														
Operating Temp	-10°C to +50°C or 14°F to 122°F														
Accuracy	±0.1% of full scale														
Frequency	2.4 GHz														
System Range	1000 metres or 3280 feet (100 metres or 328 feet if Bluetooth) (500 metres or 1640 feet if ATEX/IECEX)														
Data Rate	3 Hz - up to 200 Hz can be ordered for dynamic load monitoring applications														
Protection	IP67 or NEMA6														
Dimension A	204 8.03"	204 8.03"	249 9.80"	305 12.01"	340 13.39"	393 15.47"	424 16.69"	470 18.50"	608 23.94"	670 26.38"	700 27.56"	700 27.56"	806 31.73"	930 36.61"	
Dimension B	43 1.69"	43 1.69"	43 1.69"	47 1.85"	60 2.36"	75 2.95"	75 2.95"	75 2.95"	99 3.90"	99 3.90"	144 5.67"	144 5.67"	150 5.91"	150 5.91"	
Dimension C	104 4.09"	104 4.09"	113 4.45"	113 4.45"	115 4.53"	126 4.96"	180 7.09"	202 7.95"	255 10.04"	303 11.93"	350 13.78"	350 13.78"	426 16.77"	570 22.44"	
Dimension D	146 5.75"	146 5.75"	165 6.50"	193 7.60"	215 8.46"	225 8.86"	230 9.06"	260 10.24"	320 12.60"	360 14.17"	350 13.78"	350 13.78"	350 13.78"	450 17.72"	
Dimension ØE	24.5 0.96"	24.5 0.96"	38 1.50"	47.5 1.87"	55 2.17"	60 2.36"	76 2.99"	76 2.99"	109 4.29"	109 4.29"	145 5.71"	145 5.71"	160 6.30"	200 7.87"	
Dimension F	48 1.89"	48 1.89"	65 2.60"	Not relevant in this capacity											
Dimension G	19 0.75"	19 0.75"	32 1.26"												
Crosby Shackle	G2130					G2140					G2160				
Loading Pin Ø	19 3/4"	19 3/4"	25 1"	35 1 3/8"	51 2"	57 2 1/4"	57 2 1/4"	70 2 3/4"	83 3 1/4"	95 3 3/4"	121 4 3/4"	127 5"	152 6"	180 7 1/8"	

Wireless Loadshackle

Internal Antennae
Wireless Range of
1000m or 3280ft



Features and benefits:

- Wireless Range of 1000m or 3280ft
- Electronics housed in hard anodised enclosure
- Environmentally sealed to IP67 or NEMA6
- Battery Life of 1200hrs from 4 x AA batteries
- Internal Antennae
- Remote On-Off from handheld display or software
- Supplied with a load-centring bobbin
- 2-year warranty
- Complies with ASME B30.26
- Design validated by F.E.A.
- ATEX Zones 0, 1 & 2 available

- Bluetooth option is available and is supplied with a free HHP App for iOS and Android
See page 21

Straightpoint's Wireless Loadshackle (WLS) provides the perfect solution to limited headroom or super heavy lift projects. Available from stock in capacities from 3.25t to 500t (up to 3000t available POA), the WLS is constructed using industry-leading shackles from Crosby.

Three versions of the WLS are available:

- Long range 2.4GHz version providing industry-leading wireless range of 1000m or 3280ft to SP's SW-HHP handheld or software options.
- Bluetooth output and can be connected to any smart phone running SP's free HHP app on iOS or Android, at ranges up to 100m or 328ft.
- ATEX/IECEx for hazardous areas, zones 0, 1 & 2. Providing a wireless range of up to 500m or 1640ft to SW-HHP-ATEX handheld.

Each WLS is proof tested, then equipped with a hard-anodised aluminium electronics enclosure. Contained within this enclosure is an internal chassis providing IP67 or NEMA6 environmental protection, even with the battery cover plate missing.

Featuring industry leading wireless technology, the WLS can maintain an update rate of 3Hz. It can be easily configured to run at industry-leading speeds of up to 200Hz, if required for dynamic load measurement projects.

Utilising easily sourced AA alkaline batteries, the WLS features advanced circuitry, designed to protect the unit from damage associated with incorrectly installed batteries. This circuitry extends battery life, and the use of easily-sourced alkaline batteries, eliminating issues associated with rechargeable battery pack charging, failure and replacement.

The WLS may also be used with Straightpoint's SW-PTP software package, allowing the operator to perform load tests at a safe distance and generate real-time test certificates on site.

A full array of wireless accessories are also available including wireless score board, overload alarm and base station with analogue (4-20mA) or 2 relay or RS485 ASCII outputs.

Also available with hazardous area approval. Zones 0, 1 & 2



ATEX / IECEx

Ex ia II C T4 Ga

Certification numbers:

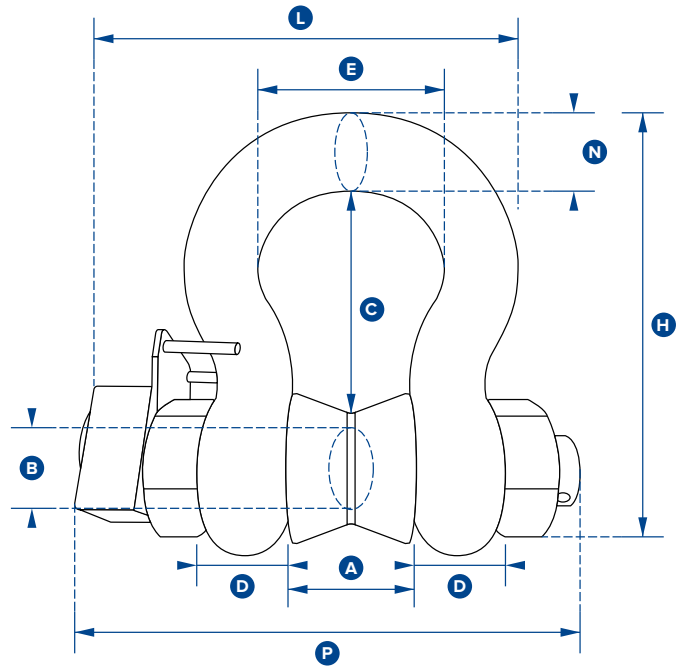
WLS ATEX

IECEx SIR 16.0041X / Sira 16ATEX2108X

SW-HHP ATEX

IECEx SIR 15.0072X / Sira 15ATEX2196X

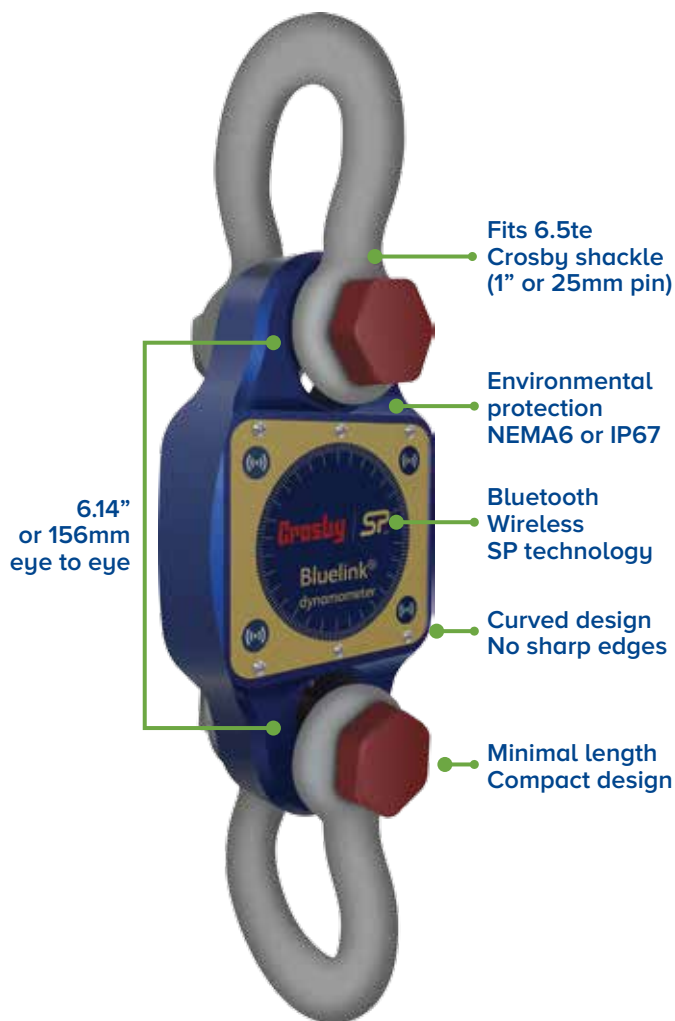
Add 'ATEX' to the part number when ordering ATEX/IECEx products. For example: WLS3.25T-ATEX



Part Numbers										
SP	WLS3.25T	WLS6.5T	WLS12T	WLS25T	WLS55T	WLS85T	WLS120T	WLS200T	WLS300T	WLS400T
Crosby	2789186	2789208	2789183	2789185	2789199	2789201	2789172	2789184	2789188	2789189
Capacity	3.25te 7150lb	6.5te 14300lb	12te 26400lb	25te 55000lb	55te 120000lbs	85te 185000lbs	120te 260000lbs	200te 440000lbs	300te 660000lbs	400te 880000lbs
Resolution	0.005te 10lb	0.005te 10lb	0.01te 20lb	0.02te 50lb	0.05te 100lb	0.05te 100lb	0.1te 200lb	0.2te 200lb	0.5te 1000lb	0.5te 1000lb
Units	tonne									
	lb									
Weight	2.8kg 6.16lb	3.2kg 7lb	8kg 17.6lb	18kg 40lb	25kg 55lb	45kg 99lb	85kg 187lb	260kg 573lb	405kg 893lb	662kg 1459lb
Safety Factor	5:1 when used with load bobbin									
Battery Type	Load cell 4 x AA Alkaline									
Battery Life	Load cell 1200 hours continuous (500 hours if Bluetooth)									
Operating Temp	-20°C to +70°C or 4°F to 158°F									
Accuracy	±1% full scale									
Frequency	2.4 GHz									
System Range	1000 metres or 3280 feet (100 metres or 328 feet if Bluetooth) (500 metres or 1640 feet if ATEX/IECEx)									
Data Rate	3 updates per second									
Protection	IP67 or NEMA6									
Dimension A	26.9 1.06"	36.6 1.44"	51.5 2.03"	73 2.87"	82.5 3.25"	105 4.13"	127 5.00"	180 7.09"	205 8.07"	230 9.06"
Dimension ØB	19.1 0.75"	25.4 1.00"	35.1 1.38"	51 2.01"	57 2.24"	70 2.76"	82.5 3.25"	125 4.92"	150 5.91"	175 6.89"
Dimension C	56.9 2.24"	79.7 3.14"	113 4.45"	170 6.69"	189.5 7.46"	253 9.96"	319.5 12.58"	432.2 17.02"	505 19.88"	547.7 21.56"
Dimension D	16 0.63"	22.4 0.88"	31.8 1.25"	44.5 1.75"	51 2.01"	66.5 2.62"	76 2.99"	110 4.33"	120 4.72"	160 6.30"
Dimension E	42.9 1.69"	58 2.28"	82.5 3.25"	127 5.00"	164 6.46"	184 7.24"	200 7.87"	280 11.02"	305 12.01"	325 12.80"
Dimension H	106 4.17"	148 5.83"	210 8.27"	313 12.32"	348 13.70"	453 17.83"	546 21.50"	738 29.06"	862 33.94"	962.6 37.90"
Dimension L	127.1 5.00"	156.5 6.16"	196 7.72"	281 11.06"	306 12.05"	368 14.49"	408 16.06"	529.7 20.85"	586.7 23.10"	667.2 26.27"
Dimension N	17.5 0.69"	24.6 0.97"	35.1 1.38"	57 2.24"	61 2.40"	79 3.11"	92 3.62"	120 4.72"	140 5.51"	160 6.30"
Dimension P	143 5.63"	173 6.81"	218 8.58"	293 11.54"	317 12.48"	394 15.51"	441 17.36"	600 23.62"	657 25.87"	765 30.12"
Crosby Shackle	G2130				G2140			S2135		



BlueLink



Wireless Range 100m or 328ft



HHP App connects via Bluetooth on any iOS or Android device

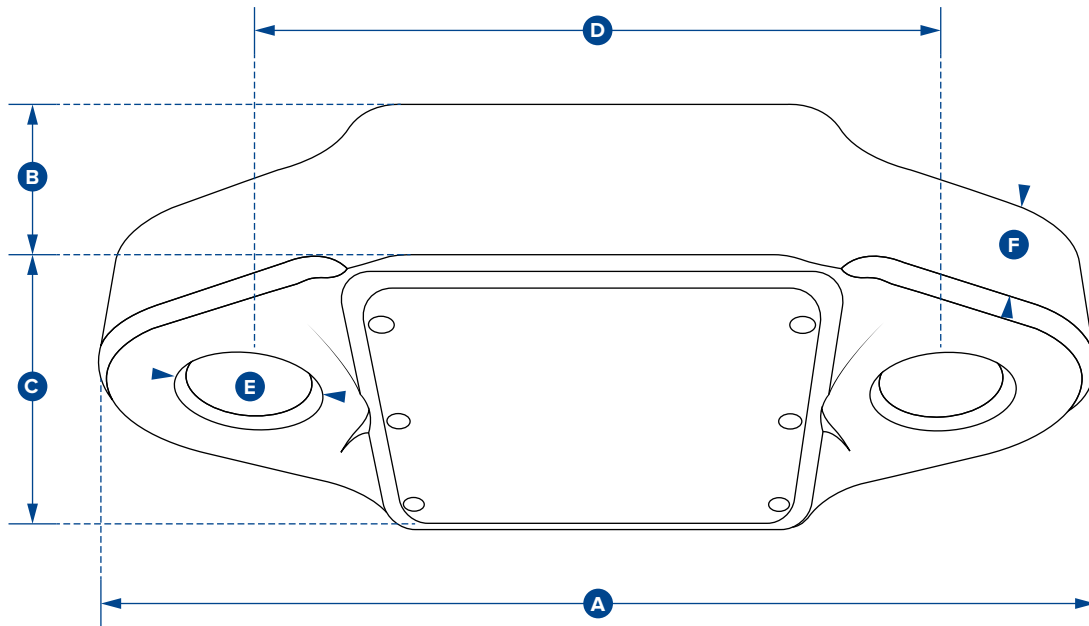
Designed to replace outdated mechanical products still in the field, this 14,300lb (6500kg) Dynamometer, the 'BlueLink', is the latest SP product to feature their proprietary Bluetooth wireless technology.

The Bluetooth signal effortlessly connects to any iOS or Android smartphone that has our free HHP app installed, providing the operator with a wireless range of up to 328ft or 100m. This allows them to stand in a safe position from the load, with no requirement to read a load on the load cell itself. The app will also allow the operator to log data versus time, or on events such as over or underload. An adjustable alarm will alert the operator on their smartphone if any overload is occurring.

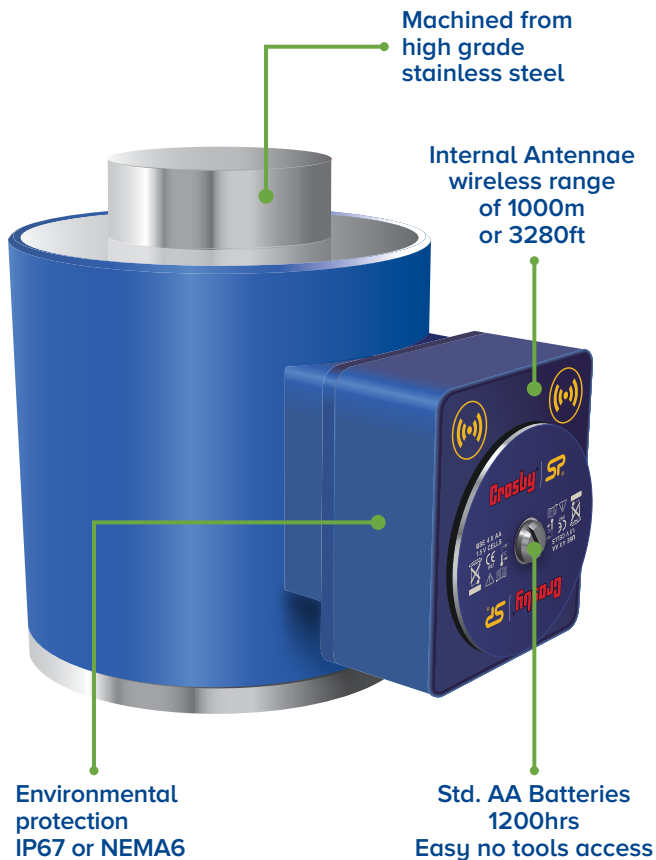
Rigged using industry standard shackles such as Crosby G2130, the BlueLink has been designed to minimise headroom (6.14" or 156mm from eye to eye). With a safety factor of over 500%, its compact lightweight design does not sacrifice on strength.

Constructed from high-quality aerospace grade aluminium, which is then hard-anodised, it features an advanced internal design structure. This design provides the product with an unrivalled strength to weight ratio. The use of a separate internal sealed enclosure administers the load cell's electronic components with IP67 or NEMA6 environmental protection, even with the battery cover plate missing. All these features makes it an industry-leading compact dynamometer, even more suitable for use in the harshest industrial or leisure environments.

The BlueLink is powered by four standard AA alkaline batteries that provide in excess of 500 hours transmission time. Its internal antennae ensures safe transmissions of loads to an accuracy of $\pm 0.2\%$ FS.



Part Numbers	
SP	BLD6T5
Crosby 2789218	
Capacity	6.5te
	14,300 lbs
Resolution	0.00te
	2lbs
Weight	1.5kg
	3.3lbs
Safety Factor	5:1
Battery Type	4 x AA alkaline batteries
Battery Life	500hrs
Operating Temperature	-10°C to +50°C or 14°F to 122°F
Accuracy	±0.2% of full scale
Range	100 metres or 328 feet
Data Rate	3Hz
Protection	IP67 or NEMA6
Dimension A	224
	8.82"
Dimension B	44
	1.73"
Dimension C	113.6
	4.47"
Dimension D	156
	6.14"
Dimension ØE	27.5
	1.08"
Dimension F	26
	1.02"



Features and benefits:

- Proprietary 2.4 GHz wireless
 - Accuracy of $\pm 0.1\%$ FS
 - Environmentally sealed to IP67 or NEMA6
 - Stocked capacities up to 1000t
 - Industry leading wireless range up to 1000m or 3280ft
 - Internal antennae
 - ATEX & IECEx version for hazardous area zones 0, 1 & 2 available
 - Battery life of 1200hrs
 - Compact size
 - Remote On-Off from handheld display or software
 - Design validated by F.E.A.
-
- Bluetooth option is available and is supplied with a free HHP App for iOS and Android See page 21

The Straightpoint LoadSafe Compression Load Cell.

No longer hindered by troublesome and hard to maintain cables, large-scale projects can now be completed in a fraction of the time previously required.

Multiple compression load cells can all connect wirelessly to INSIGHT via a USB dongle, their iOS or Android app (if Bluetooth), or their SW-HHP wireless handheld display.

Maintenance and repair costs are all but eliminated due to the absence of cables and connectors.

The flexibility of the product opens the door to a large number of applications in the heavy lift, energy, defence, rigging, shipping, and general transportation sectors.

Three versions of the WNI are available:

- Long range 2.4GHz version providing industry-leading wireless range of 1000m or 3280ft to SP's SW-HHP handheld or software options.

- Bluetooth output and can be connected to any smart phone running SP's free HHP app on iOS or Android, at ranges up to 100m or 328ft.

- ATEX/IECEx for hazardous areas, zones 0, 1 & 2. Providing a wireless range of up to 500m or 1640ft to SW-HHP-ATEX handheld.

Connected to Crosby|Straightpoint's INSIGHT, the WNI load cell can be used to weigh and verify centre of gravity of large and heavy objects, which may not be evenly proportioned. The system will report weight on each individual load cell, total weight and C-of-G in an html report based on ISO19901.

Crosby|Straightpoint's LoadSafe is machined from high grade 17-4PH stainless steel, providing excellent strength and corrosion resistance, which makes them suitable for the most arduous industrial conditions.

Also available with hazardous area approval. Zones 0, 1 & 2



ATEX / IECEX

Ex ia II C T4 Ga

Certification numbers:

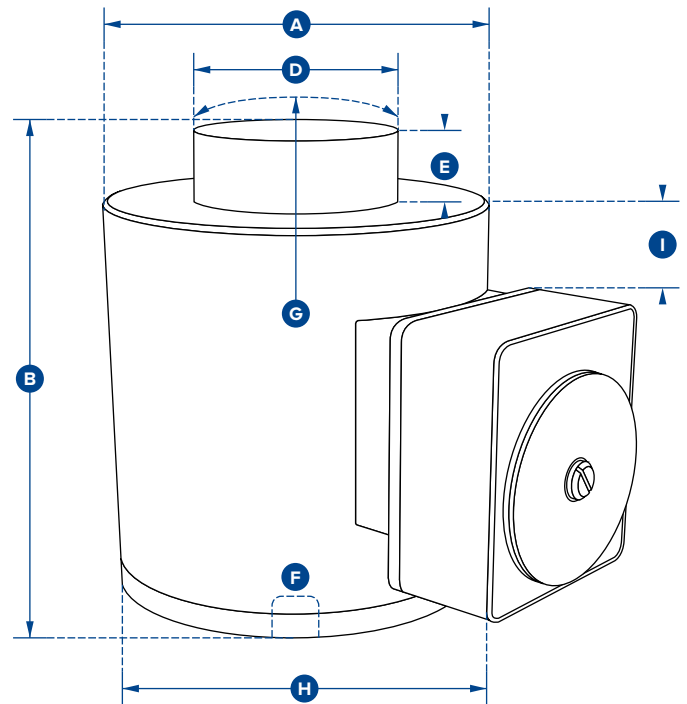
WNI ATEX

IECEX SIR 16.0041X / Sira 16ATEX2108X

SW-HHP ATEX

IECEX SIR 15.0072X / Sira 15ATEX2196X

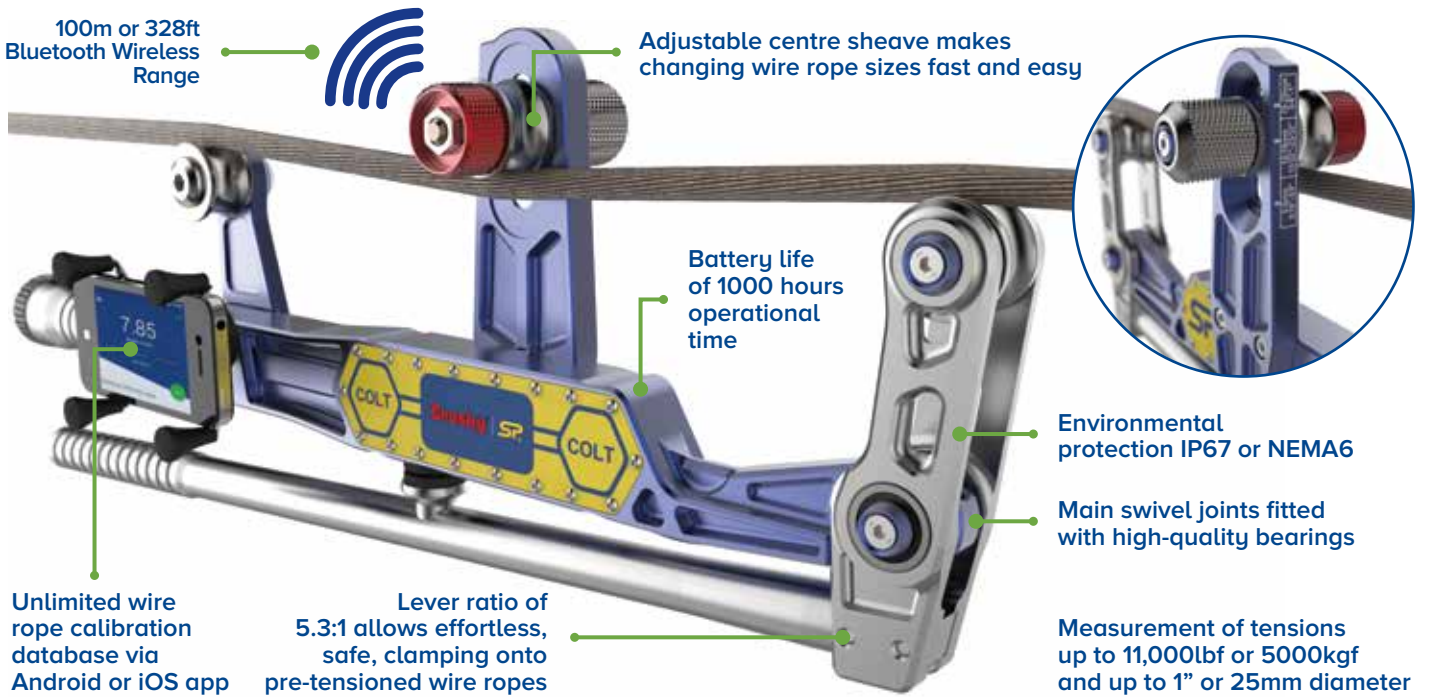
Add 'ATEX' to the part number when ordering ATEX/IECEX products. For example: WNI5TC-ATEX



Part Numbers									
SP	WNI5TC	WNI10TC	WNI25TC	WNI50TC	WNI100TC	WNI150TC	WNI300TC	WNI500TC	WNI1000TC
Crosby	2789197	2789191	2789193	2789196	2789190	2789192	2789194	2789195	2789138
Capacity	5te 11000lb	10te 22000lb	25te 55000lb	50te 110000lb	100te 220000lb	150te 330000	300te 660000lb	500te 1100000lb	1000te 2200000lb
Resolution	0.001te 2lb	0.002te 5lb	0.005te 10lb	0.01te 20lb	0.05te 100lb	0.05te 100lb	0.1te 200lb	0.2te 500lb	0.5te 1000lb
Units	tonne lb								
Weight	6.2kg 13.64lb	6.2kg 13.64lb	6.2kg 13.64lb	6.2kg 13.64lb	15.5kg 34lb	15.5kg 34lb	65kg 143lb	65kg 143lb	172kg 379lb
Safety Factor	3:1								
Battery Type	Load cell 4 x AA Alkaline								
Battery Life	Load cell 1200 hours continuous (500hrs if Bluetooth)								
Operating Temp	-10°C to +50°C or 14°F to 122°F								
Accuracy	±0.1% of full scale								
Frequency	2.4GHz								
System Range	1000 metres or 3280 feet (100 metres or 328 feet if Bluetooth) (500 metres or 1640 feet if ATEX/IECEX)								
Data Rate	3Hz (configurable to 200Hz)								
Protection	IP67 or NEMA6								
Dimension ØA	100 3.94"	100 3.94"	100 3.94"	100 3.94"	152 5.98"	152 5.98"	185 7.28"	185 7.28"	362 14.25"
Dimension B	127 5.00"	127 5.00"	127 5.00"	127 5.00"	184 7.24"	184 7.24"	300 11.81"	300 11.81"	310 12.20"
Dimension ØD	59 2.32"	59 2.32"	59 2.32"	59 2.32"	80 3.15"	80 3.15"	155 6.10"	155 6.10"	270 10.63"
Dimension E	16 0.63"	16 0.63"	16 0.63"	16 0.51"	26 1.02"	26 1.02"	27.5 1.08"	27.5 1.08"	40 1.57"
Dimension F	M18 x 2.5 M18 x 2.5	M18 x 2.5 M18 x 2.5	M18 x 2.5 M18 x 2.5	M20 x 2.5 M20 x 2.5	M20 x 2.5 M20 x 2.5	M20 x 2.5 M20 x 2.5	M20 x 2.5 M20 x 2.5	M20 x 2.5 M20 x 2.5	M30 x 3.5 M30 x 3.5
Dimension G	152 5.98"	152 5.98"	152 5.98"	152 5.98"	432 17.01"	432 17.01"	432 17.01"	432 17.01"	950 37.40"
Dimension H	158 6.22"	158 6.22"	158 6.22"	158 6.22"	208 8.19"	208 8.19"	241 9.49"	241 9.49"	422 16.61"
Dimension I	22 0.87"	22 0.87"	22 0.87"	22 0.87"	33 1.30"	33 1.30"	49 1.93"	49 1.93"	102 4.02"
Load cell top to SA700 top	0.87"	0.87"	0.87"	0.87"	1.30"	1.30"	1.93"	1.93"	4.02"



Clamp On Line Tensionmeter



The Straightpoint COLT is a lightweight wire rope tension meter, for fast and accurate measurement of tensions up to 11,000lb or 5000 kg and up to 1" or 25mm diameter.

Manufactured using an integral, high accuracy, Bluetooth module, the COLT transmits load data wirelessly to any smart device running our free Android or iOS app.

Constructed from aerospace grade aluminium, the COLT digital tensionmeter is lightweight and easy to handle. Its main operational application is to be attached to wires/cables that are already under tension. Once in place, it allows the operator to quickly check tension on cables or wire ropes set at any angle.

A built-in magnetic smart device holder allows the COLT to be used as a traditional tension meter with on board display, or the smartphone can be handheld or mounted elsewhere.

Supplied in a purpose made carry case, the COLT is portable and utilises standard alkaline batteries, making it perfect to carry out on-site cable tension testing anywhere in the world.

An optional calibration verification tool (CVT) allows the operator to self-check and verify calibration accuracy, in the field, if required.

Features and benefits:

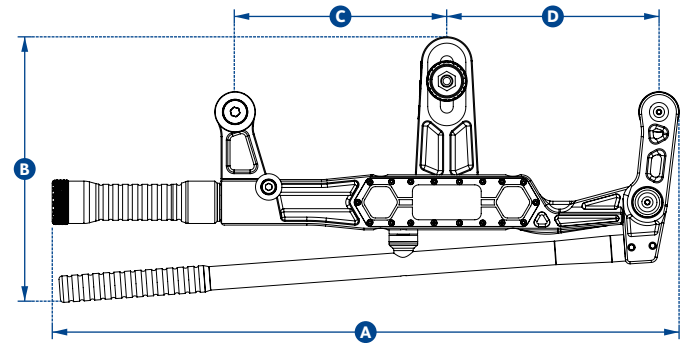
- Unlimited wire rope calibration database via Android or iOS app
- Main swivel joints fitted with high-quality bearings
- Lever ratio of 5.3:1 allows effortless, safe, clamping onto pre-tensioned wire ropes
- Wireless Bluetooth 4.2 enabling operator to stand a safe distance away, up to 100 metres or 328 feet
- Quick intuitive adjustable centre sheave makes changing wire rope sizes fast and easy
- No easily broken external antennae
- High waterproof resistant design IP67 or NEMA6 for all weather use
- Massive battery life of 1000 hrs operational time
- As the library of wire rope diameters and constructions is increased each app user will benefit when they update free of charge

Tower Mode:

- Records GPS coordinates
- Logs the local temperature and windspeed from local NOAA
- Ability to also allow elevation of wire rope to be inputted into log

Applications:

- Guy wire maintenance on cell towers, bridges, flare stacks, antennas and masts
- Guy wire Tower Plumb and Tension
- EHS guy wire, Turnbuckle tensioner
- Wire rope installations, comparing, equalising and measuring
- Architectural wire rope installations
- Median cable barrier tensioning
- Utility cable overhead line monitoring
- Elevator hoist, governor and compensating wire rope maintenance
- Zip lines and assault course testing
- Fall arrest systems
- Metro, tram and rail transit electric wires, and catenary testing
- Ski lifts
- Wire rope tie downs on vessels (using Tirfor)
- Testing tension of ship mast wire ropes.
- Tensioned trellis systems
- Measuring Line Sag



Part Numbers	
SP	COLT5T
Crosby	2789000
Max Load	5000kg 11000lbs
Resolution	10kg 20lb
Units	kg, lbs, tonne and kN
Min Wire Rope Ø	Ø5mm Ø3/16"
Max Wire Rope Ø	Ø25mm Ø1"
Max Line Reduction	5mm with a Ø10mm wire rope 7/32" with a Ø3/8" wire rope
Wire Rope Database	Infinite via Android 4.4 or iOS 8.0 app
Weight	3.5kg 7.7lbs
Battery Type	2 x 'C' cell batteries
Battery Life	1000 hours Bluetooth transmission time
Operating Temp.	-25°C to +70°C -13°F to +158°F
Protection	IP67 NEMA6
Accuracy	±3% of full scale if wire rope Ø and construction known
Communication	Bluetooth 4.2
Dimension A	589mm 23.2"
Dimension B	254mm 10"
Dimension C	200mm 7.9"
Dimension D	200mm 7.9"

Specifications assume COLT used on a wire rope with a fixed and flexible end

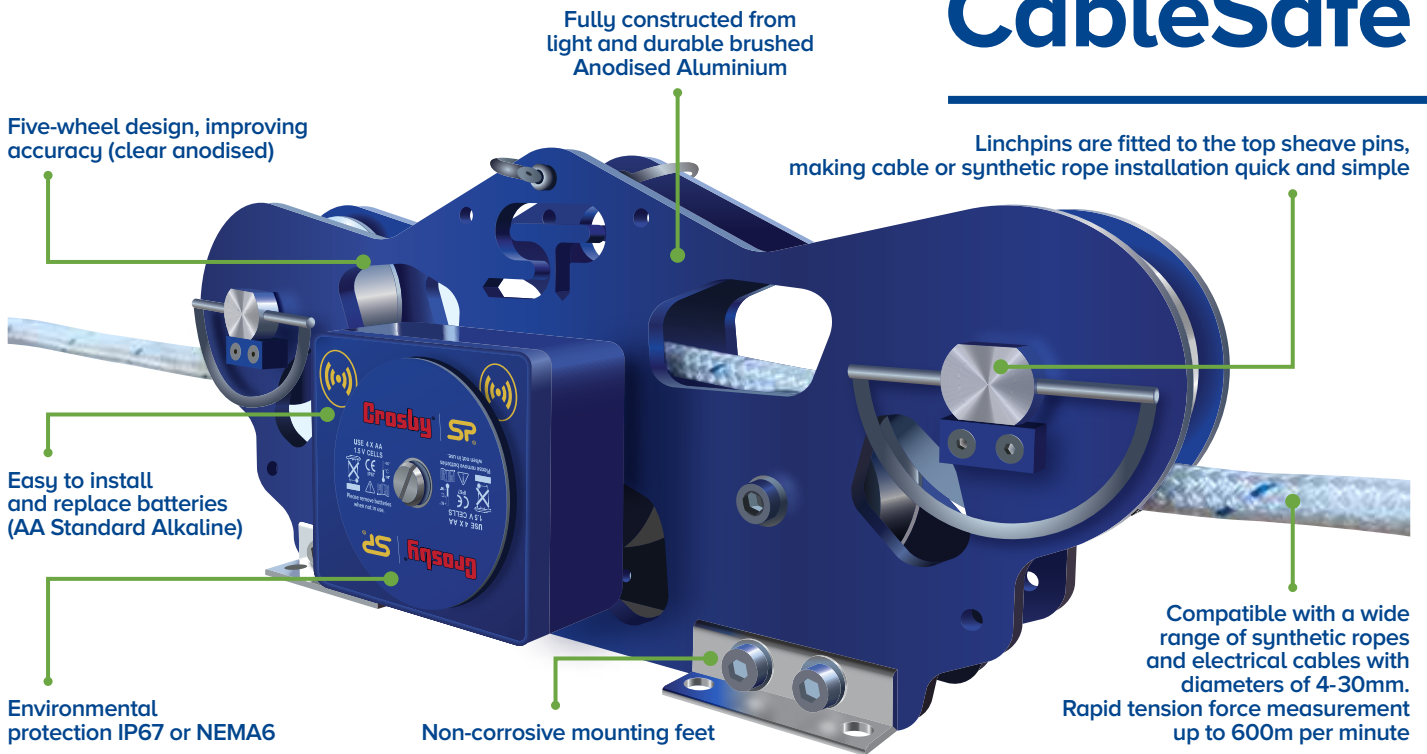
CVT
(Calibration
Verification Tool)



Optional for purchase: CVT (Calibration Verification Tool)

In order to ensure that the measurements of the COLT are as accurate as possible, SP supply a calibration verification rod, specifically designed for this purpose.

CableSafe



In addition to the TIMH range, the CableSafe is the continued evolution of Straightpoint's running line tensiometers. When used in the field, it will allow the user to monitor tension with exceedingly high levels of accuracy, which ensures rope/cables do not become overstretched or break.

When using a capstan winch to unwind electrical cable from a reel/spool, you will be able to integrate the CableSafe within this set-up to ensure that it is being pulled at a safe tension level. This helps the line maintain its transmissions capability, prevent it becoming a fire hazard risk, and it also stops the need of furthering work in order to remove and replace it. The contractor is gifted with decreased liability, dramatically increasing peace of mind. Using CableSafe on cable pulls reduces liabilities on cable installations, making it ideal for the following applications:

- Measure tension when pulling electrical cables – protect against fractures or elongation
- Measuring tension on synthetic rope when erecting delicate structures using gin poles and capstan winch

Another example of best use is during the installation of cell phone towers or similar delicate structures. The product helps ensure structure-to-ground ropes which are connected to a gin pole and pully system. Do not exceed maximum tension whilst lifting sections of the tower to the top because there can be the possibility of the rope becoming snagged, causing greater tension to be loaded upon the system. With heavy materials being lifted to great heights; this would create a major safety hazard leading to a catastrophic failure, endangering lives. Avoid the unknown through accurate monitoring, especially when risks are high.

What distinguishes it, apart from previous versions of this type, is the developed lightweight design, allowing easy transportation and usage. Providing up to 500 hours battery life, you can be assured there will not be any loss of power before your work day has ended. High level IP67 or NEMA6 ingress protection allows it to be used in a variety of heavy weather conditions and dusty environments. These features, as a collective, means that it will be an invaluable and reliable tool in your work-related armoury.

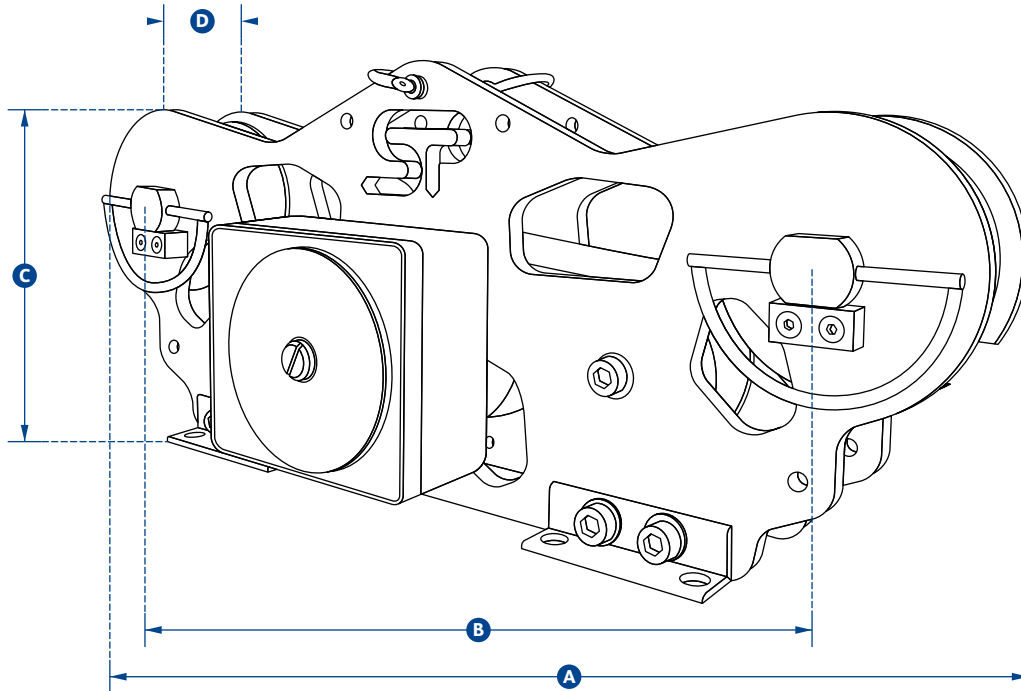
The five-wheel design and gravity catches, with top sheave pins, allows for fast and simple rope attachment set-up. The accuracy is further improved over three-wheel alternatives.

When used with a cable/rope pulling device, you can remotely monitor the tension on the line using your smart handheld device via a Bluetooth connection*. With the operator locating themselves up to 100m or 328ft away from the CableSafe, it will allow them to survey job progress at a safe distance.

**The 'HHP' app is available to download for free (Android/iOS) and is compatible with all SP Bluetooth Products.*

Applications:

- Fibre-optic cable pulling using turret winches
- Water gates for dams
- Offshore rescue and retrieval
- Capstan rope/cable winding
- Broadcast and telecommunications
- Erecting towers (maintaining structural capacity)
- Service and maintenance of cell towers

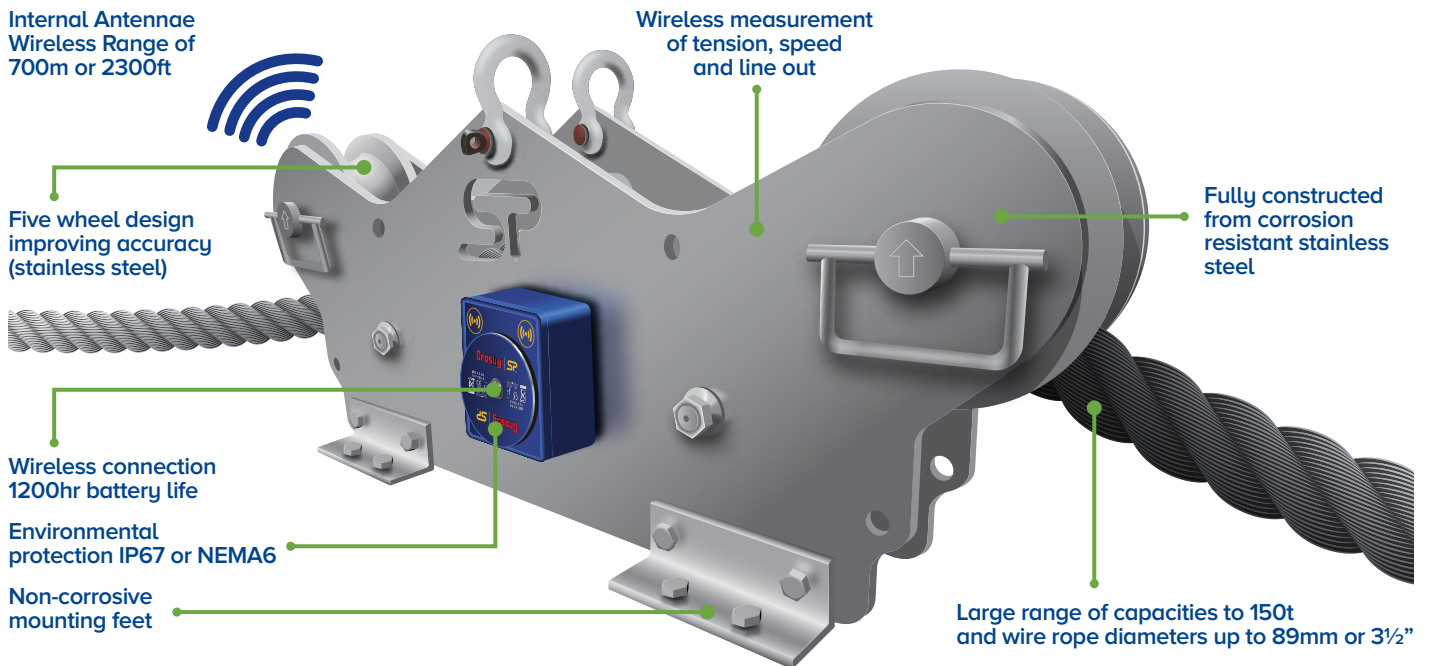


Part Numbers	CableSafe	CableSafe WD
SP	2789219	2789399
Crosby		
Capacity	10te 22,000lb	10te 22,000lb
Resolution	0.01te 20lb	0.01te 20lb
Synthetic rope/ Electrical cable Ø	4-19mm 5/32"- 3/4"	9.5-30mm 3/8"- 1 3/16"
Weight	4.5kg 10lb	8kg 17.6lb
Battery Type	4 x AA Alkaline	
Battery Life	500hrs	
Operating Temp	-10°C to +50°C 14°F to 122°F	
Accuracy	±2% of full scale	
Range	Bluetooth 100m Bluetooth 328ft	
Protection	IP67 NEMA6	
Maximum Speed	600m per minute 1968ft per minute	
Dimension A	422mm 16.61"	422mm 16.61"
Dimension B	328mm 12.91"	328mm 12.91"
Dimension C	152mm 5.98"	152mm 5.98"
Dimension D	36mm 1.41"	50.5mm 1.98"

Features and benefits:

- Simple to use and set up
- Remote monitoring using smart phone via Bluetooth
- Rapid tension force measurement - Up to 600m or 1968ft per minute
- Able to be used in all weather and air quality conditions
- Easy to install and replace batteries (4 x AA standard Alkaline)
- Fully constructed from light and durable hard Anodised Aluminium
- Five wheel design improving accuracy (clear anodised)
- Linchpins are fitted to the top sheave pins making wire rope installation quick and simple
- Maintenance free heavy duty needle bearings
- Compatible with a wide range of synthetic rope/electrical cable diameters – 4-30mm or 5/32"- 1 3/16"
- Design validated by F.E.A.
- IP67 ingress protection or NEMA6 – heavy protection against dust and rain

Running Line Dynamometer



The TIMH range is a **Wireless Running Line Tensiometer or RLTM** built with dockside, marine, offshore, towage and salvage applications in mind. It is particularly useful when there is no anchor or dead end on the line to rig an SP Radiolink or Loadlink digital dynamometer. It measures tension force at speeds up to 20m/min or 65ft/min.

Two versions of the TIMH are available:

- Long range 2.4GHz version providing industry leading wireless range of 700m or 2300ft to SP's SW-HHP handheld or software options.
- Bluetooth output and can be connected to any smart phone running SP's free HHP app on iOS or Android at ranges up to 100m or 328ft.

The TIMH is constructed from marine grade stainless steel and is suitable for many wire rope configurations up to 150t and will, as an option, calculate lineout and speed. The TIMH has several mounting points featured in its unique design but if other mounting options are required, Straightpoint can provide a custom engineered solution specific to your application.

Available as a wireless or cabled system, utilising Straightpoint's HHP range of handheld displays or SW-MWLC software, this impressive Running Line Dynamometer or RLTM is available to ship from stock, to anywhere in the world, within days.

Features and benefits:

- Measure tension, line speed and distance
- Five-wheel design improving accuracy
- Cabled or wireless options
- Fully constructed from corrosion-resistant stainless steel
- IP67 or NEMA6 Loadpin
- Industry leading battery life of 1200hrs (wireless)
- Maintenance free heavy duty bushes
- Large range of capacities to 150t and wire rope diameters up to 89mm or 3½"
- Options for lineout and speed available
- Software available to data log and monitor or analogue outputs
- Design validated by F.E.A.

- Bluetooth option is available and is supplied with a free HHP App for iOS and Android
See page 21

Also available with hazardous area approval. Zones 0, 1 & 2



ATEX / IECEX

Ex ia II C T4 Ga

Certification numbers:

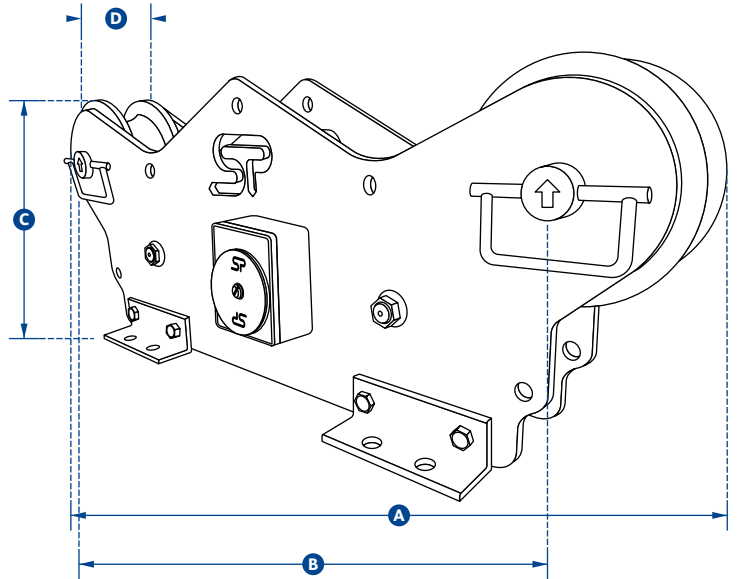
TIMH ATEX

IECEX SIR 16.0041X / Sira 16ATEX2108X

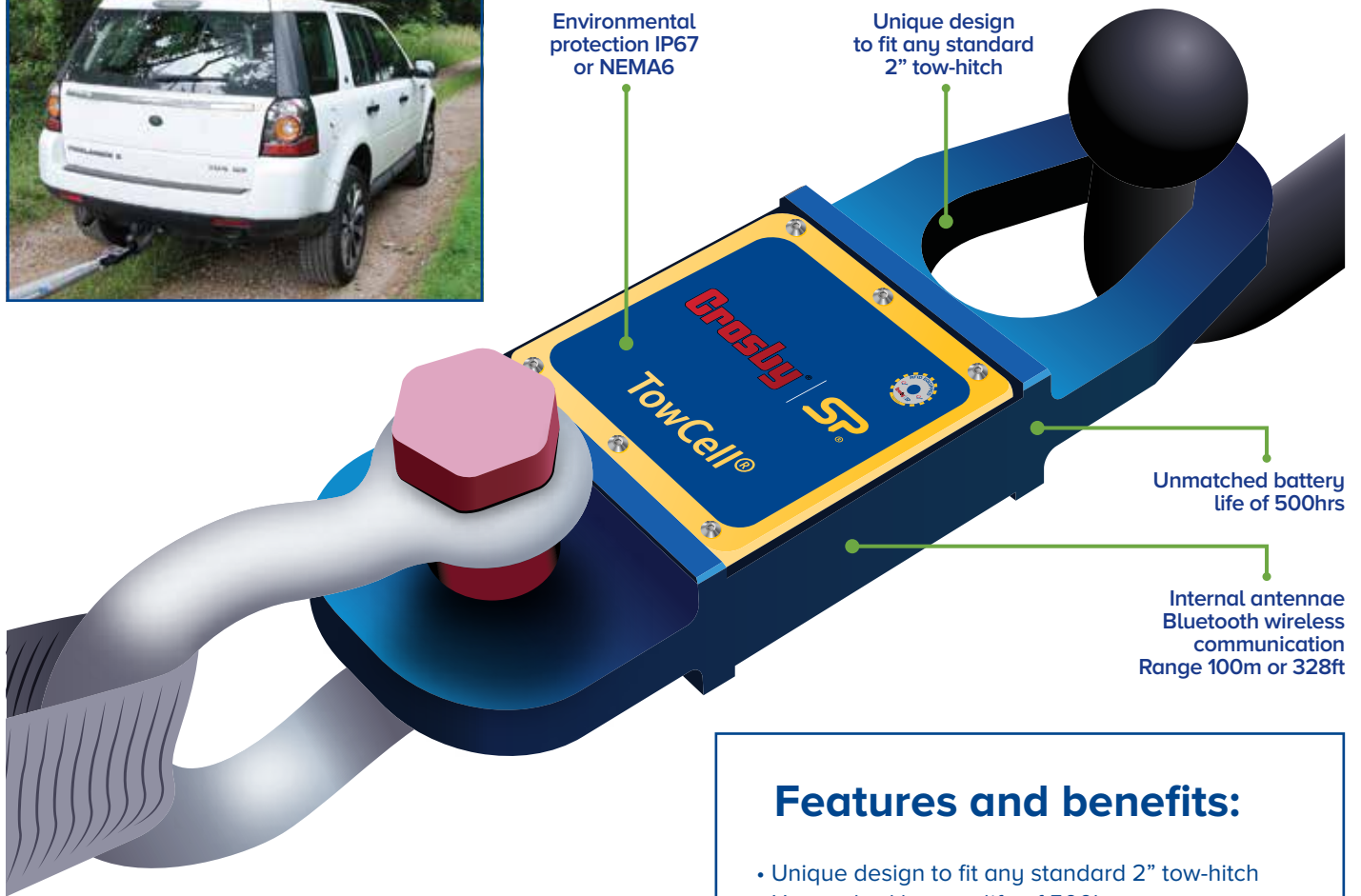
SW-HHP ATEX

IECEX SIR 15.0072X / Sira 15ATEX2196X

Add 'ATEX' to the part number when ordering ATEX/IECEX products. For example: TIMH10T-ATEX



Part Numbers	MTIMH10TRD		TIMH10TRD		TIMH25TRD		TIMH56TRD		TIMH80TRD		TIMH150TRD	
SP	2789054		2789136		2789139		2789144		2789146		2789270	
Capacity	10te		10te		25te		56te		80te		150te	
	22000lb		22000lb		55000lb		123200lb		176000lb		330000lb	
Resolution	0.01te		0.01te		0.02te		0.05te		0.1te		0.2te	
	20lb		20lb		50lb		100lb		200lb		500lb	
Wire Rope Ø	4-19mm		13-19mm		16-26mm		28-38mm		40-52mm		52-89mm	
	5/32" - 3/4"		1/2" - 3/4"		5/8" - 1"		1 1/8" - 1 1/2"		1 5/8" - 2"		2" - 3 1/2"	
Weight	9kg		90kg		86kg		81kg		76kg		230kg	
	20lb		198lb		190lb		179lb		168lb		506lb	
Battery Type	4 x AA Alkaline											
Battery Life	Wireless version 1200hrs continuous											
Operating Temp	-10°C to +50°C											
	14°F to 122°F											
Accuracy	±2% of full scale											
Frequency	2.4 GHz											
System Range	700 metres											
	2300 feet											
Data Rate	3 updates per second											
Protection	IP67											
	NEMA6											
Maximum Speed	50m per minute		20m per minute									
	164ft per minute		65ft per minute									
Line out and speed	via SW-MWLC software											
Dimension A	422mm		880mm								1250mm	
	16.62"		34.65"								49.21"	
Dimension B	328mm		700mm								1050mm	
	12.9"		27.55"								41.33"	
Dimension C	152mm		330mm								416mm	
	5.98"		12.99"								16.37"	
Dimension D	36mm		110mm								153mm	
	1.4"		4.33"								6.02"	



Straightpoint has developed a 25kN, wireless load cell specifically engineered for the emergency services, salvage and 4 x 4 industries. The Towcell® allows for increased safety and the avoidance of costly overloads by providing real-time monitoring of tensile towing forces during recovery, clearance and salvage efforts. The Towcell® is rugged, lightweight, compact and can be installed, with ease, onto any tow bar, whether it's a standard 52mm or 2" ball or pin assembly and is ready to use in seconds.

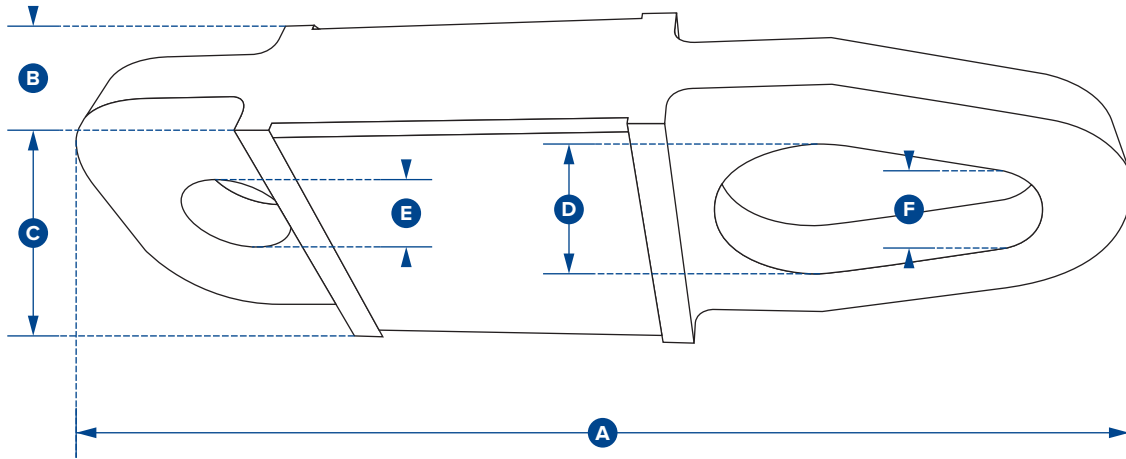
Modelled after Straightpoint's best-selling Radiolink plus, the Towcell® is constructed of high-quality aircraft grade aluminium. It features an advanced internal design structure, providing the product with an unrivalled strength to weight ratio. This optimal balance allows for the use of a separate internally sealed enclosure. This administers the internal

Features and benefits:

- Unique design to fit any standard 2" tow-hitch
- Unmatched battery life of 500hrs
- Waterproof IP67 or NEMA6
- Internal antennae
- Compact size and lightweight
- Proprietary 2.4 GHz wireless communication
- Design validated by F.E.A.
- Bluetooth enabled and is supplied with a free HHP App for iOS and Android
See page 21

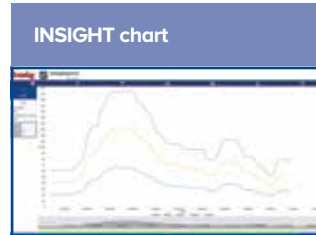
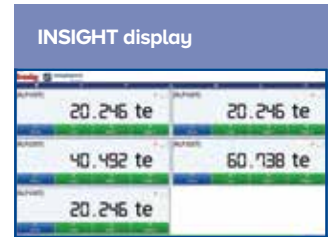
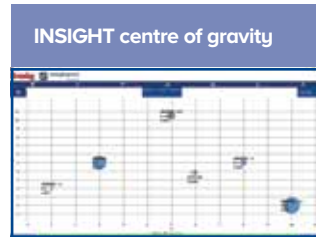
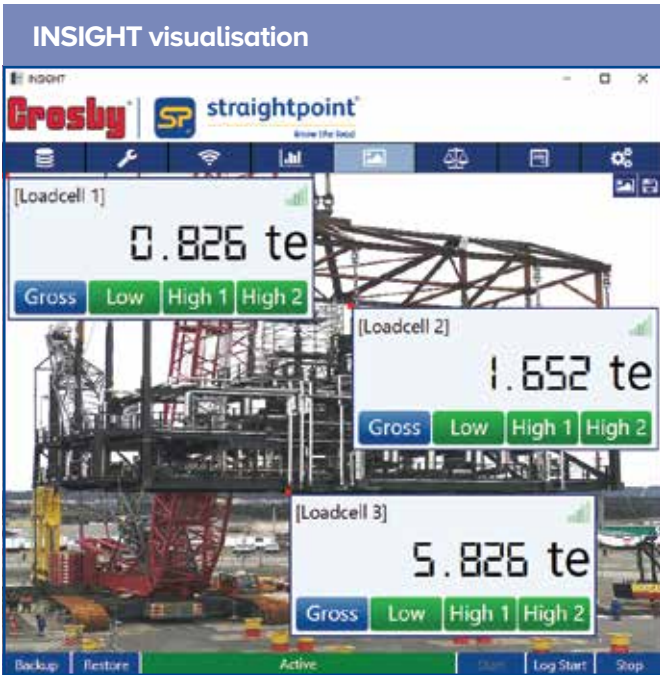
electronic components with an IP67 or NEMA6 waterproof environmental protection, even with the battery cover plate missing.

Easily sourced AA alkaline batteries offer massive battery life of 500 hours, and the Towcell® utilises an unbreakable internal antennae.



Part Numbers	
SP	Towcell - Bluetooth version
Crosby	2789271
Capacity	25kN
Resolution	0.01kN
Weight	1.4kg 3lb
Safety Factor	5:1
Battery Type	4 x AA Alkaline
Battery Life	500 hours continuous
Operating Temp	-10°C to +50°C 14°F to 122°F
Accuracy	±0.1% of full scale
Frequency	2.4 GHz
System Range	100 metres 328 feet
Data Rate	50Hz
Protection	IP67 NEMA6
Dimension A	300mm 11.81"
Dimension B	43mm 1.70"
Dimension C	104mm 4.09"
Dimension ØD	51mm 2.00"
Dimension ØE	27mm 1.06"
Dimension ØF	31mm 1.22"

INSIGHT Software



Features and benefits:

- Logging at timed intervals, manual or on overload/underload
- Log data at speeds up to 200Hz
- Visual and audible alarms indicate overload, underload, low battery and communications error
- 100% wireless, no easily damaged cables
- 700m or 2300ft range allows operator to stand at safe distance from test
- Connects to any Straightpoint wireless load cell
- Automatically creates digitally signed pass or fail certificate
- Real-time load v time graph display
- Three weighing's per C of G report with averages and statistical analysis to ISO19901
- Plot load cell positioning using measurements or GPS co-ordinates
- Free extra entry fields for operator, client, wind speed, sea states and temperature available for reporting

INSIGHT software, supplied with an SW-D USB wireless dongle, allows connection of up to 126 Straightpoint wireless load cells simultaneously onto any Windows tablet or laptop.

Insight has four main features:

- **Multi-channel display and data logging mode**
View and log load data from connected load cells plus totals loads live on screen and directly into a .csv file for later analysis at speeds of up to 200Hz.
- **Visualisation mode**
For complicated lifts import a photo of the lift and drag and drop load cell displays – make the screen look like the lift.
- **Centre of gravity mode**
Connect to SP's range of wireless compression load cells and use this feature to weigh and calculate the centre of gravity of large items and structures.
- **Proof load testing**
Real time graphing of load test and auto generated test certificates.

Numerous proof load testing applications worldwide require a load cell to verify the load applied. From crane testing, using water bags to pad eye testing, using hydraulic tools, the need to document test procedure and results has never been greater, especially as users of lifting equipment call for more traceability and audit trails.

A proof test is a form of stress test to demonstrate the fitness of a load-bearing structure, and is nominally a non-destructive test. Such a structure is often subjected to loads above that expected in normal use, demonstrating safety and design margin.

This demand has increased so much, Straightpoint offer a software package designed to connect to any of their wireless load cells - Proof Test plus.

This impressive package allows the test engineer to wirelessly, at a safe distance, monitor a proof load test and automatically create a pass or fail certificate when testing is complete.

The report is formatted as a PDF, which may then be printed, emailed or uploaded to the cloud, resulting in a traceable document for both test engineer and end customer.

Typical load tests using Straightpoint load cells include:

- Bollard pull tests
- Tug tests
- Crane Test (Water bags, block weights)
- Pad eye or fly point testing
- Crash barrier testing
- Lifting equipment testing
 - Slings, chains, wire rope, hooks
- Construction equipment testing
 - Shoring columns, acrow props and lintels
- Lifting and spreader beam testing
- Hydraulic cylinder load test
- Supplied with SW-D transmitter

Crosby | **SP**
know the load

Your Company Name
 Address Line 1
 Address Line 2
 Address Line 3
 Address Line 4
 POST CODE
 Phone Number
 www.yoururl.com

Certificate of Load Test - 13/03/2020 10:13:49

Date of Test:	13/03/2020 10:13:49	Product Description:	dfh
Certification Number:	Required Prefix: 10001	Serial or Tag No:	90f
Company:	Test	WLL:	0af
Address:	Test	Test Method:	sd0fs
		Load Test To:	300fe
Tel:	Test	Duration of Test:	33.59 seconds
Contact:	Test	Notes:	fsd
Reference Loadcell:	SMA1	Calibrated On:	Wednesday, 06 March 2019
Serial Number:	111111	WLL:	300
Calibrated Unit:	kg	Measuring Unit:	kg

Peak Load: 328.8 kg

LOAD (kg)

350
300
250
200
150
100
50
0

Time(s) 12.95 25.85

This is to certify that this product described herein has been subjected to the load test.
 Caution: Never exceed the rated capacities.

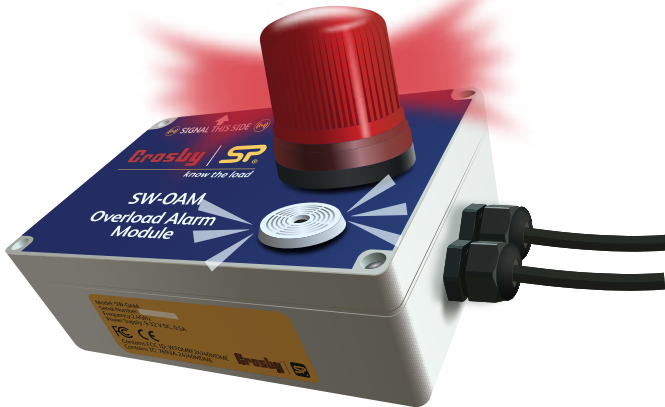
Notes: Test Notes Test Notes Test Notes Test Notes Test Notes Test Notes

Signed: Test
 Appointed Person: Test ID: Test Test

Part Numbers	
SP	INSIGHT with SW-D
Crosby	2789318
IP rating	IP67
	NEMA6
USB Dongle	-20°C to +70°C
Operating Temp	-4°F to 158°F
Licence	Licence free
Frequency	2.4 GHz
Range	700 metres
	2300 feet
Load Cell Inputs	Up to 126
PC Requirements	Intel i3 processor with 2GB RAM
Operating System	Windows 7, 8 and 10

Wireless Accessories

Straightpoint's range of wireless accessories may be used with any Straightpoint wireless load cells



Wireless overload alarm module

Part N°s **SP SW-OAM Crosby** 2789129

This wireless relay module features audio and visual warning indicators. The set point of the unit can be triggered from a single or summed group of up to four Crosby|Straightpoint wireless load cells. It contains two relays (NO and NC). NO is for audio and visual indications, while NC is a spare and can be used to control 230V AC / 30VDC 5A systems.



Wireless scoreboard display

Part N°s **SP SW-SD Crosby** 2789132

This 100mm or 4" scoreboard LED display is wireless and operates between 110-240V AC. The numerals are viewable for up to 45m or 150ft, making it perfect for installation on a crane gantry. The SW-SD displays an individual load in tonnes or summed load of up to four Crosby|Straightpoint wireless devices.



Wireless base station with analogue output

Part N°s **SP SW-BS Crosby** 2789314

The SW-BS provides a configurable analogue output for any single and maximum (up to 4 load cells) Straightpoint wireless load cell and is ideal for integration to a PC, PLC and other data acquisition. Housed in a IP65 enclosure, the output can be selected from Current 4-20mA, 2 Relay Outputs, RS485 ASCII (Configurable) plus an optional CANbus 2.0A or 2.0B output.



Load cell transmitter

Part N°s **SP SA700C Crosby** 2789097

The SA700C transmitter connects to strain gauge transducers such as load cells, torque sensors and pressure transducers allowing them to form part of a Straightpoint wireless system.

Load data from the SA700C can be received by multiple receivers that include SW-HHP handheld, INSIGHT software or Straightpoint's range of wireless accessories.



Once installed on a smart device, the HHP App allows you to stand back and remotely monitor the level of force being measured by your SP product in real-time, without the need for troublesome cabling. The Bluetooth feature on the smart device can be used to connect wirelessly to any Bluetooth-enabled wireless SP load cell. This will provide the operator with the ease of surveying a situation from a distance of up to 100m or 328ft, giving them a wider perspective of the immediate area. If working within a high-risk environment, the remote monitoring ability will also provide that extra safety assurance.

If required, SP's Bluetooth-enabled load cells can connect to, and be monitored by, up to eight smart devices with the app installed. This means more than one lifting professional can be utilised during the lift to monitor progress, as well as spot potential dangers/issues, from different vantage points.

The HHP app's simple and easy-to-use interface will allow the operator to use the app with the upmost efficiency. There are up to four different measurement units to choose from, depending on preferences within a particular project. If the lifting professional only needs to view the peak load, there is a 'Peak Hold' button that can be selected to display the highest measurement only. Accompanying this is an option to set an audible alarm when a new high or low measurement value is detected, so the operator knows exactly when this has occurred.

The app also has a load monitoring project record and log feature, where a particular measurement needs to be recorded for later referral. Once logged to the app, it will then allow the operator the convenience of exporting the details of the logged measurement(s) to either a mobile device, or send it to a particular email address, in a spreadsheet format.

Features and benefits:

- Up to 100m or 328ft remote monitoring distance
- Multiple weight unit measurement options (kN, te, kg & lbs)
- Peak Hold button
- Measurement reporting
- Export measurement report
- Zero and Gross monitoring options
- Audible alarm alert for high/low values
- User defined resolution set-up



Handheld plus



Features and benefits:

- Displays up to 4 load cells simultaneously
- Wireless range 1000m or 3280ft (ATEX 500m or 1640ft)
- Low battery warning
- Signal strength warning
- Overload counter
- User settable 90db audible overload alarm
- Multiple display units – tonnes, lbs, kg and kN
- 200Hz Peak hold

The Handheld plus is a rugged and versatile digital handheld display. It has an extensive range of features and is suitable for all Crosby | SP load cell products.

At the heart of the ergonomically designed Handheld plus is a powerful PCB providing industry leading features such as user selectable units of measure (tonnes, lbs, kg and kN), programmable audible overload alarm (HHP & SW-HHP), peak hold, pre-set tare and a user resettable (HHP & SW-HHP) overload counter.

This crucial overload alarm counter is a requirement for many safety and quality control departments, as it keeps track of overload events, allowing the load cell in question to be removed from service immediately, following the calibration voiding overload event. The load cell in question can then be sent out for proper testing and, if necessary, recalibration before re-entering service.

The HHP is suitable for connection via cable to any Straightpoint cabled load cell product and easily adapted to any other manufacturers' load cell product with a mv/v output.

In addition to the standard HHP the SW-HHP is suitable for connection to any Straightpoint wireless load cell, has a range of up to 1000m/3280ft (ATEX 500m/1640ft) and is supplied as standard with the Radiolink plus load cell.

Also available with hazardous area approval



ATEX / IECEX Ex ia II C T4 Ga

Certification number:

SW-HHP ATEX
IECEX SIR 15.0072X
Sira 15ATEX2196X

When ordering ATEX/IECEX version of SW-HHP, order using code: SW-HHP-ATEX

Please note:
There is no audible alarm with ATEX

Part Numbers	HHP	SW-HHP	SW-HHP ATEX
SP			
Crosby	2789830	2789126	2789127
Battery Type	1 x PP3 9v alkaline	2 x AA	4 x AA Energizer L91
Battery Life	100 hours continuous	40 hours continuous	40 hours continuous
Display Type	240 x 128 pixel Multi-line dot matrix with backlight		
Operating Temp	-10°C to +50°C or 14°F to 122°F	-20°C to +70°C or -4°F to 158°F	-20°C to +70°C or -4°F to 158°F
Display Rate	3Hz		
Protection	IP65 or NEMA4X		
Excitation	5v	N/A	N/A
Max Sensitivity	3mv/v	N/A	N/A
Max Resolution	1:9999999 (normal mode)		
Range	N/A	1000m or 3280ft	500m or 1640ft
Connectivity	6-way female binder 723 socket	Wireless 2.4GHz	Wireless 2.4GHz

Accessories available for the handheld:

Wall or Cab Mount Bracket

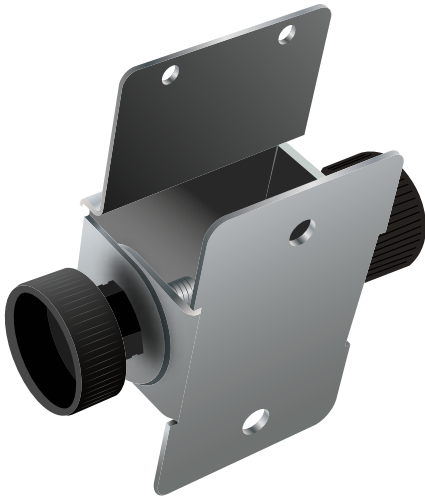
SP Crosby Part Nos.
SU3282 2789228

Rugged Rubber Boot

SP Crosby Part Nos.
SU4045 2789232



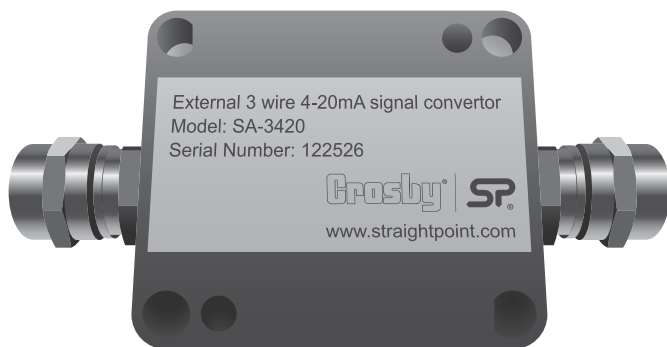
#knowtheload



Wall or Cab Mount Bracket

Part N°s **SP** SU3282 **Crosby** 2789228

Constructed from stainless steel and fitted with a viewing angle adjusting mechanism, the SU3282 bracket fits either the HHP or SW-HHP handheld displays. Ideal for wall or cab mounting, leaving the operators to work safely, hands free.



External Amplifier

Part N°s **SP** SA-3420 **Crosby** 2789096

The SA-3420 external amplifier allows the operator to convert the output of any of the SP cabled load cell products into a three wire 4-20mA analogue output. The weatherproof enclosure is fitted with stainless steel glands and is suitable for connection to a PLC, data logger or other instrumentation.



Handheld Rubber Boot

Part N°s **SP** SU4045 **Crosby** 2789232

Drop tested to one metre at -30°C , this 70SHA rubber boot is purpose moulded to fit and protect the HHP and SW-HHP handheld display against impact, especially when it is used in the harshest industrial environments.

Subsea link

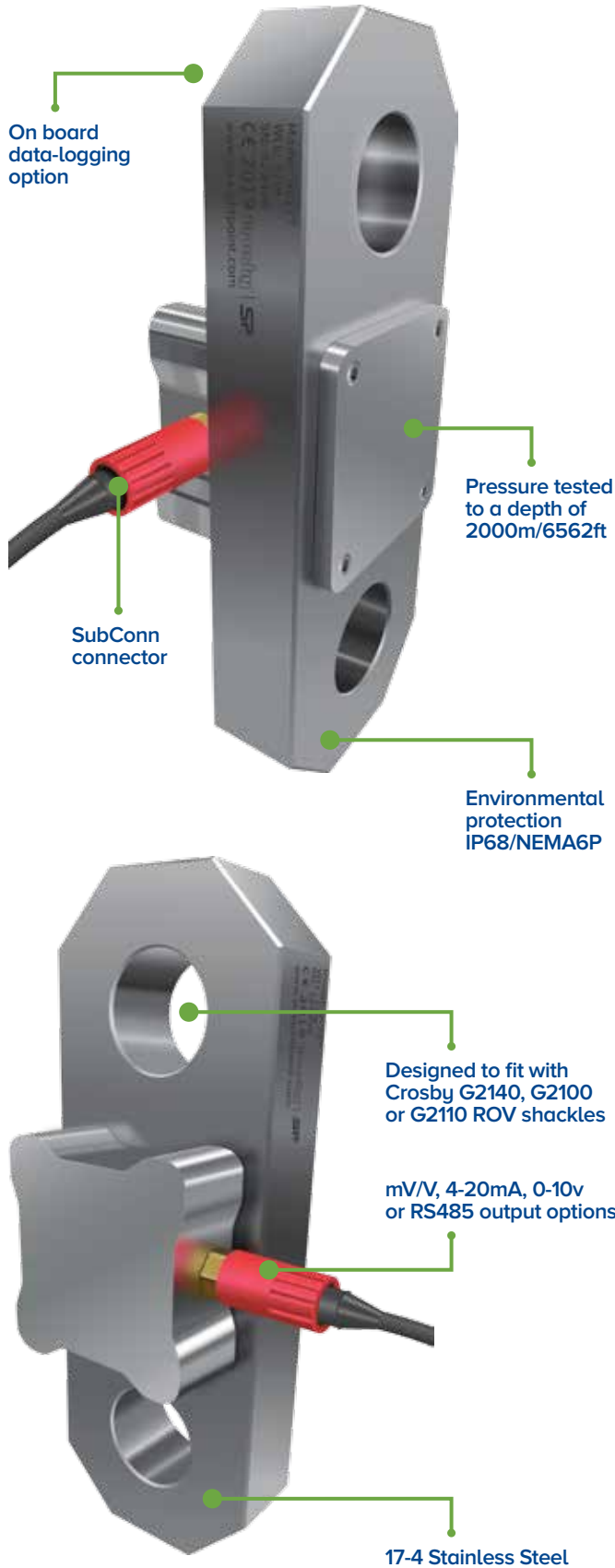
SP's Subsea link (SL) has been manufactured for use in subsea or submersible projects where accurate load monitoring is required.

Constructed from 17-4PH stainless steel with o'ring seals and moulded SubConn connector the SL link design ensures high integrity and will resist saltwater, temperature variations and the water pressure at varying depths of up to 2000m or 6562 feet.

At depth the SL can be handled and rigged via an ROV where it maybe inaccessible by a diver/s or cost may prohibit.

Output options include mV/V to the SP Handheld plus, 4-20mA or 0-10v analog to a PLC, Datalogger or The Multi Operation Survey System (MOSS), RS485 or an integral datalogger storing up to one million readings and powered by an internal battery.

Designed to accept Crosby ROV shackles - additionally there is an option for ROV mounting on the SL body itself.

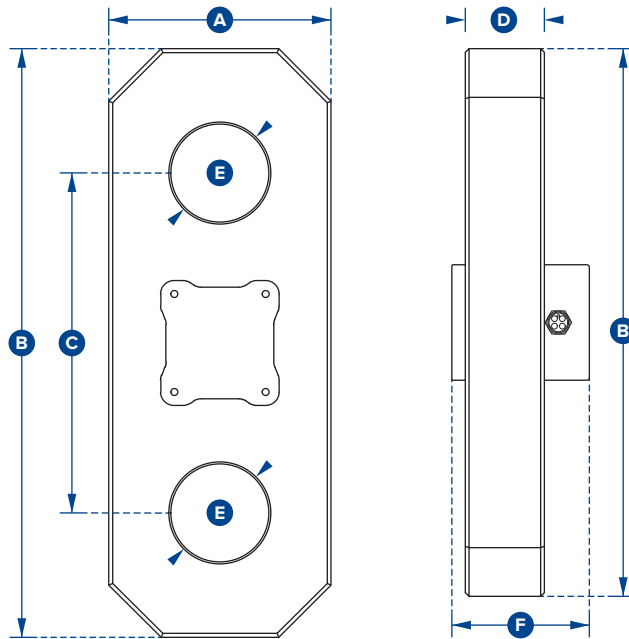


Features and benefits:

- On board data-logging option
- Pressure tested to depth of 2000m/6562ft
- SubConn connector
- Environmental protection IP68/NEMA6P
- mV/V, 4-20mA, 0-10v, RS485 output options
- 17-4 Stainless Steel
- Designed to fit with Crosby ROV shackles

Applications:

- Offshore platforms
- Ships and towing cables
- Aquaculture
- Subsea structure lifting systems
- ROV exploration
- Umbilical load monitoring
- Oceanography or navigation projects
- Renewable energy platforms



Part Numbers							
SP	SL6T5	SL12T	SL25T	SL35T	SL55T	SL85T	SL120T
Crosby	2789352	2789353	2789354	2789355	2789356	2789357	2789358
WLL	6.5te	12te	25te	35te	55te	85te	120te
	14300lb	26000lb	55000lb	77000lb	120000lb	185000lb	260000lb
Weight	7kg	10kg	16kg	22kg	34kg	46kg	67kg
	15lb	23lb	34lb	49lb	75lb	101lb	148lb
Safety Factor	5:1						
Output	Options for: mV/V / 4-20mA / 0-10v / RS485 or internal data logger						
Operating Temp	-10°C to +50°C / 14°F to 122°F						
Accuracy	±0.1% of full scale						
Max depth of use	2000 metres / 6562 feet						
Material	17-4 PH Stainless steel						
MTBF to WLL	Typically 50 million cycles						
Elongation	Typically <0.4mm / at WLL						
Dimension A	95	100	130	150	168	190	220
	3.74"	3.94"	5.12"	5.91"	6.69"	7.48"	8.66"
Dimension B	240	300	350	400	450	490	550
	9.45"	11.81"	13.78"	15.75"	17.72"	19.29"	21.65"
Dimension C	180	200	230	250	260	290	335
	7.09"	7.87"	9.06"	9.84"	10.24"	11.42"	13.19"
Dimension D	25	40	45	50	65	75	86
	0.98"	1.57"	1.77"	1.97"	2.56"	2.95"	3.39"
Dimension ØE	30	40	55	60	75	88	100
	1.18"	1.57"	2.17"	2.36"	2.95"	3.46"	3.94"
Dimension F	73	88	93	98	113	123	134
	2.87"	3.46"	3.66"	3.86"	4.45"	4.84"	5.28"
Crosby Shackle	G2140 or G2100 or G2110 ROV shackles						

Datalogger Measurement Rate	Days
1 per second	10
1 per 30 seconds	57
1 per minute	729
1 per 2 minutes	1445
1 per 30 minutes	3423
1 per hour	3600
1 per 2 hours	3694
1 per 8 hours	3769



Loadlink plus



Known worldwide as the original electronic force measurement device to feature an integral display, the Loadlink plus has been in production since 1979. Over the years, the line has been expanded and it is now used on a daily basis for load monitoring and heavy lifts. These can range in capacity from 1t to 300t, and are used by a variety of industrial and commercial industries including manufacturing, transportation, agriculture, oil and gas, utilities, aerospace and clean energy.

This latest version of the well-known product has advanced features and benefits, providing solutions for today's complicated load test and force monitoring needs. The Loadlink plus features full function push button controls for tare, choice of units (lbs, kg, kN and tonnes), peak hold, preset tare, audible set-point alarm and an overload counter.

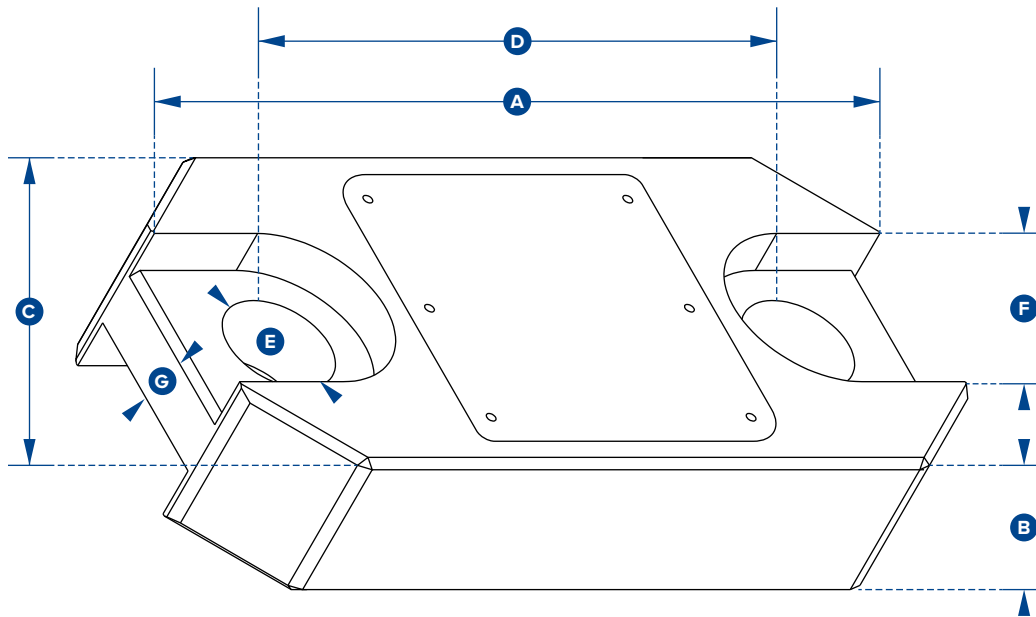
The advanced microprocessor-based electronics provide the Loadlink plus with high speed read rates, extreme resistance to industrial level noise and unprecedented stability. This high stability gives the Loadlink plus over 5,000 divisions and the highest standard resolution of any digital dynamometer on the market today. Constructed of high-grade aircraft quality aluminium, Straightpoint's advanced internal design structure allows the product to once again top the charts with an unmatched weight to strength ratio. Straightpoint's link style dynamometers are on average 30% lighter than their closest competitor with the same safety rating.



Optional Connection
to SP's Handheld plus
SP Crosby
Part Nos.
T24 HHP
2789030

Features and benefits:

- Large 25mm or 1" LCD display
- High accuracy
- Selectable units t, lbs, kN & kg
- High resolution
- 100Hz Peak hold
- Push button tare
- Light weight
- Preset tare
- Overload counter
- 90db Audible set point alarm
- RS-485 serial output
- Design validated by F.E.A.
- 2-year warranty
- DNV-GL Type Approval
- Complies with ASME B30.26



Part Numbers													
SP	LLP1T	LLP2T5	LLP6T5	LLP12T	LLP25T	LLP35T	LLP55T	LLP75T	LLP100T	LLP150T	LLP200T	LLP250T	LLP300T
Crosby	2789042	2789046	2789050	2789040	2789045	2789048	2789049	2789051	2789039	2789041	2789043	2789044	2789047
Capacity	1,000kg	2.5te	6.5te	12te	25te	35te	55te	75te	100te	150te	200te	250te	300te
	2200lb	5500lb	14300lb	26000lb	55000lb	77000lb	120000lb	165000lb	220000lb	330000lb	440000lb	550000lb	660000lb
Resolution	0.5kg	0.001te	0.001te	0.002te	0.005te	0.005te	0.01te	0.01te	0.05te	0.05te	0.1te	0.1te	0.1te
	1lb	2lb	2lb	5lb	10lb	10lb	20lb	20lb	100lb	100lb	200lb	200lb	200lb
Units	kg	te	te	te	te	te	te	te	te	te	te	te	te
	lb	lb	lb	lb	lb	lb	lb	lb	lb	lb	lb	lb	lb
Weight	1.5kg	1.5kg	2.4kg	3.7kg	5kg	8.6kg	13kg	16kg	34kg	46kg	82kg	82kg	118kg
	3.3lb	3.3lb	5.3lb	8.2lb	11lb	19lb	28.7lb	35.3lb	75lb	101.4lb	180.8lb	180.8lb	260lb
Safety Factor	12:1	7:1	7:1	7:1	5:1	5:1	5:1	5:1	5:1	4:1	5:1	4:1	5:1
Battery Type	9v PP3												
Battery Life	80 hours continuous												
Display Type	6 digit 25mm or 1" LCD												
Operating Temp	-10°C to +50°C or 14°F to 122°F												
Accuracy	±0.1% of full scale												
Protection	IP65 or NEMA4X												
Dimension A	204	204	249	305	340	393	424	470	608	670	700	700	806
	8.03"	8.03"	9.80"	12.01"	13.39"	15.47"	16.69"	18.50"	23.94"	26.38"	27.56"	27.56"	31.73"
Dimension B	43	43	43	47	60	75	75	75	99	99	144	144	150
	1.69"	1.69"	1.69"	1.85"	2.36"	2.95"	2.95"	2.95"	3.90"	3.90"	5.67"	5.67"	5.91"
Dimension C	104	104	113	113	115	126	180	202	255	303	350	350	426
	4.09"	4.09"	4.45"	4.45"	4.53"	4.96"	7.09"	7.95"	10.04"	11.93"	13.78"	13.78"	16.77"
Dimension D	146	146	165	193	215	225	230	260	320	360	350	350	350
	5.75"	5.75"	6.50"	7.60"	8.46"	8.86"	9.06"	10.24"	12.60"	14.17"	13.78"	13.78"	13.78"
Dimension ØE	24.5	24.5	38	47.5	55	60	76	76	109	109	145	145	160
	0.96"	0.96"	1.50"	1.87"	2.17"	2.36"	2.99"	2.99"	4.29"	4.29"	5.71"	5.71"	6.30"
Dimension F	48	48	65	Not relevant in this capacity									
	1.89"	1.89"	2.60"										
Dimension G	19	19	32	Not relevant in this capacity									
	0.75"	0.75"	1.26"										
Crosby Shackle	G2130						G2140						
Loading Pin Ø	19	19	25	35	51	57	57	70	83	95	121	127	152
	3/4"	3/4"	1"	13/8"	2"	2 1/4"	2 1/4"	2 3/4"	3 1/4"	3 3/4"	4 3/4"	5"	6"



Wirelink plus

The Wirelink plus is the non-indicating version of Straightpoint's very popular Radiolink plus and Loadlink plus digital dynamometer tension load cells. This non-indicating Loadlink is designed for use with Straightpoint's Handheld plus digital display, desktop controller PC software (DCP10M) or other form of instrumentation.

Manufactured from aerospace grade aluminium, utilising an advanced internal design structure, this range of non-indicating load cells are extremely lightweight, easy to handle and are used worldwide in an array of industries for lifting, pulling, proof and structural load testing.

The extremely versatile platform can be used with digital displays, including the Straightpoint Handheld plus, PLCs, data acquisition systems (DAQ) etc. They are configured with a vast array of output formats to include mV/V, RS-422, RS-485, utilising the ASCII, MODBUS RTU and CAN-BUS protocols.

A standard analogue output option is available to include:

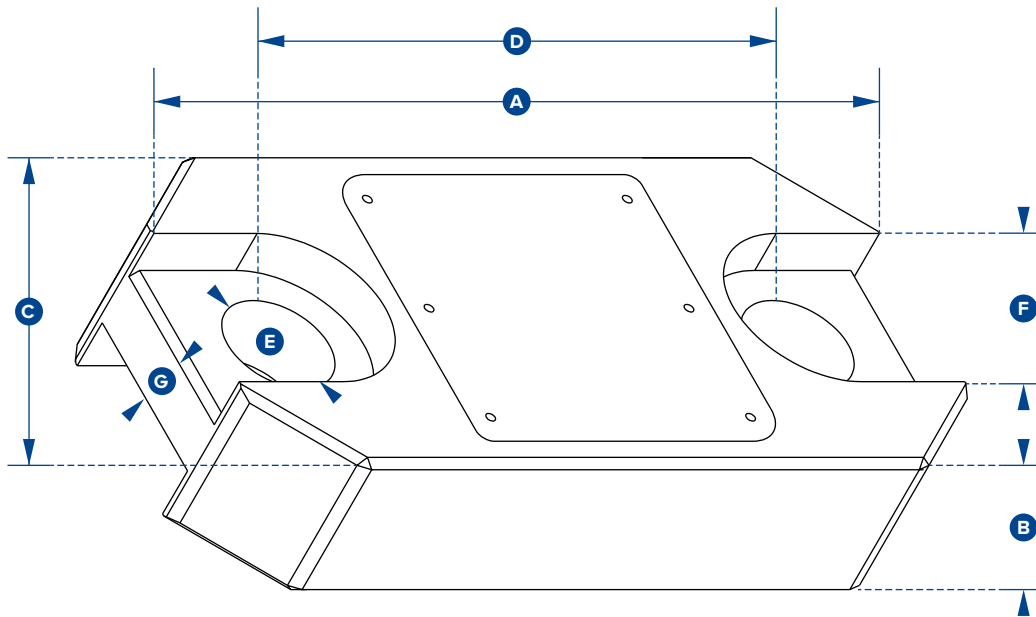
- 3 wire 0-10v
- 3 wire 0-5v
- 4 wire +/-10v
- 3 wire 4-20mA
- 2 wire 4-20mA

The Wirelink plus is supplied with a 10-metre cable as standard, however, usable cable length varies greatly with lengths available to 1,500 metres depending on output format.



Features and benefits:

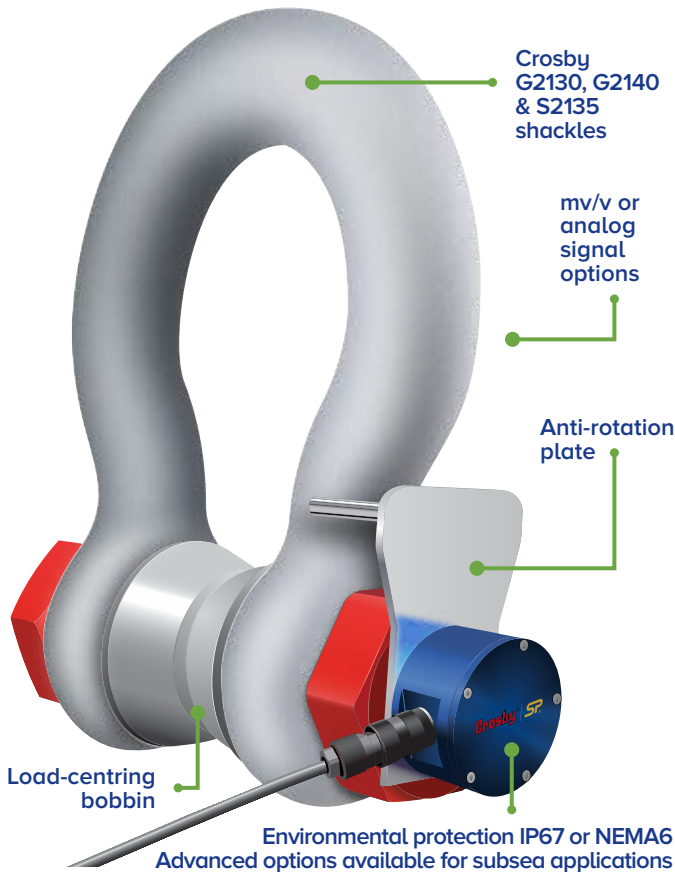
- Constructed of lightweight aluminium
- Available in capacities ranging from 1 to 300 tonnes
- High accuracy
- Multiple output options to include mV/V, analogue out, ASCII, MODBUS RTU and CAN-BUS
- Available with IP68 environmental protection
- Options for subsea use available
- 2-year warranty
- DNV-GL Type Approval
- Complies with ASME B30.26



Part Numbers													
SP	WLP1T	WLP2T5	WLP6T5	WLP12T	WLP25T	WLP35T	WLP55T	WLP75T	WLP100T	WLP150T	WLP200T	WLP250T	WLP300T
Crosby	2789154	2789158	2789273	2789152	2789157	2789160	2789269	2789161	2789151	2789153	2789155	2789156	2789159
Capacity	1,000kg 2200lb	2.5te 5500lb	6.5te 14300lb	12te 26000lb	25te 55000lb	35te 77000lb	55te 120000lb	75te 165000lb	100te 220000lb	150te 330000lb	200te 440000lb	250te 550000lb	300te 660000lb
Resolution	0.5kg 1lb	0.001te 2lb	0.001te 2lb	0.002te 5lb	0.005te 10lb	0.005te 10lb	0.01te 20lb	0.01te 20lb	0.05te 100lb	0.05te 100lb	0.1te 200lb	0.1te 200lb	0.1te 200lb
Units	kg lb	te lb	te lb	te lb	te lb	te lb	te lb	te lb	te lb	te lb	te lb	te lb	te lb
Weight	1.5kg 3.3lb	1.5kg 3.3lb	2.4kg 5.3lb	3.7kg 8.2lb	5kg 11lb	8.6kg 19lb	13kg 28.7lb	16kg 35.3lb	34kg 75lb	46kg 101.4lb	82kg 180.8lb	82kg 180.8lb	118kg 260lb
Safety Factor	12:1	7:1	7:1	7:1	5:1	5:1	5:1	5:1	5:1	4:1	5:1	4:1	5:1
Operating Temp	-10°C to +50°C or 14°F to 122°F												
Accuracy	±0.1% of full scale												
Protection	IP67 or NEMA6												
Dimension A	204 8.03"	204 8.03"	249 9.80"	305 12.01"	340 13.39"	393 15.47"	424 16.69"	470 18.50"	608 23.94"	670 26.38"	700 27.56"	700 27.56"	806 31.73"
Dimension B	43 1.69"	43 1.69"	43 1.69"	47 1.85"	60 2.36"	75 2.95"	75 2.95"	75 2.95"	99 3.90"	99 3.90"	144 5.67"	144 5.67"	150 5.91"
Dimension C	104 4.09"	104 4.09"	113 4.45"	113 4.45"	115 4.53"	126 4.96"	180 7.09"	202 7.95"	255 10.04"	303 11.93"	350 13.78"	350 13.78"	426 16.77"
Dimension D	146 5.75"	146 5.75"	165 6.50"	193 7.60"	215 8.46"	225 8.86"	230 9.06"	260 10.24"	320 12.60"	360 14.17"	350 13.78"	350 13.78"	350 13.78"
Dimension ØE	24.5 0.96"	24.5 0.96"	38 1.50"	47.5 1.87"	55 2.17"	60 2.36"	76 2.99"	76 2.99"	109 4.29"	109 4.29"	145 5.71"	145 5.71"	160 6.30"
Dimension F	48 1.89"	48 1.89"	65 2.60"	Not relevant in this capacity									
Dimension G	19 0.75"	19 0.75"	32 1.26"										
Crosby Shackle	G2130						G2140						
Loading Pin Ø	19 3/4"	19 3/4"	25 1"	35 1 3/8"	51 2"	57 2 1/4"	57 2 1/4"	70 2 3/4"	83 3 1/4"	95 3 3/4"	121 4 3/4"	127 5"	152 6"

Options					
Part N° SP Crosby	ICA1 2789220	ICA2 2789221	ICA3 2789222	ICA4 2789223	ICA5 2789224
Description	3 wire 0-10v analogue output	3 wire 0-5v analogue output	4 wire ±10v analogue output	3 wire 4-20mA analogue output	2 wire 4-20mA analogue output

Loadshackle



Features and benefits:

- Robust construction
- Compact size and low headroom
- Every Loadshackle proof tested
- Lightweight
- Unrivalled resolution
- Push button tare
- Environmentally sealed to IP67 or NEMA6
- Peak hold
- Advanced options available for subsea applications
- Manufactured using industry leading brand shackles
- mv/v or analog signal options
- Design validated by F.E.A.



Requires connection to Crosby|Straightpoint's Handheld plus (HHP) or External Amplifier range (SA-3420) that can be configured to provide outputs such as 4-20mA, 0-10v, 0-5v for PLC or data logger integration.

Straightpoint's Loadshackle is available from stock in capacities of 3.25t to 400t, as well as being obtainable up to 3000t.

Manufactured from Crosby's industry-leading 2130 Carbon and 2140 Alloy Bolt Type Anchor Shackle, the product offers reduced overall weight and headroom, providing a great fit for low headroom applications.

Utilising the same advanced microprocessor based electronics as all Straightpoint products, the cabled Loadshackle benefits from high sampling rates, extreme resistance to industrial level noise and unprecedented stability.

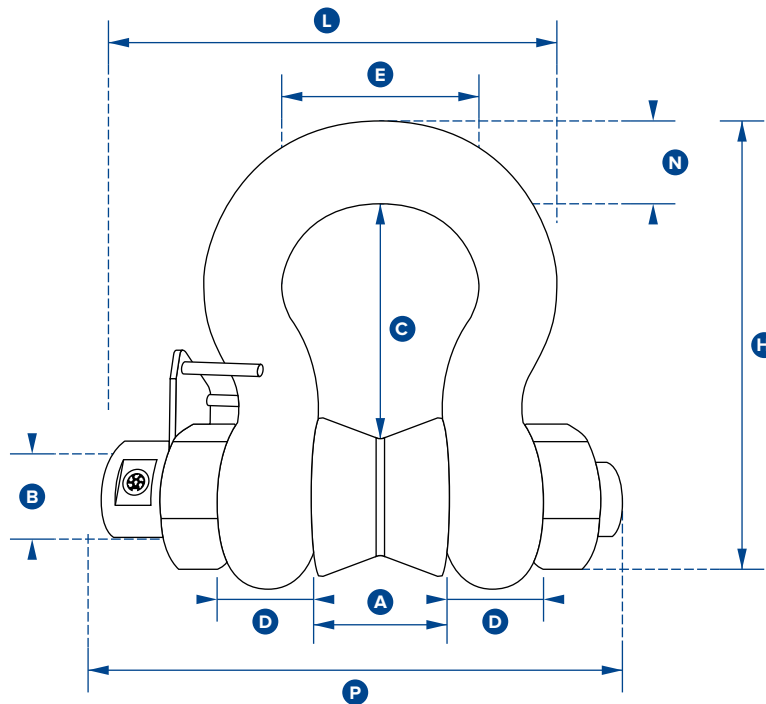
A huge range of tooling allows Straightpoint to calibrate in shackle for extra accuracy, unlike many other load cell manufacturers. Their cabled Loadshackles are also

environmentally sealed to IP67 or NEMA6 and, as an option, sealed for permanent submersion for sub-sea use.

The cabled Loadshackle range can be used with digital displays, including the Straightpoint Handheld plus, PLCs, data acquisition systems (DAQ), etc.

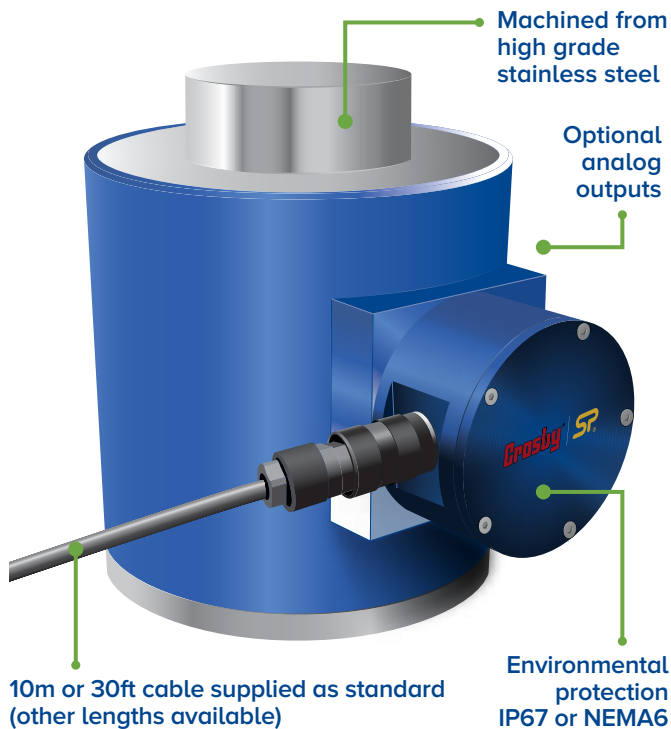
They are configured with a vast array of output formats to include mV/V, RS-422, RS-485, utilising the ASCII, MODBUS RTU and CAN-BUS protocols or supplied with integral amplifier allowing analogue outputs such as 4-20mA, 0-10v, 0-5v etc.

Whether used in heavy lifting, mooring anchor placement or sub-sea applications, Straightpoint's cabled Loadshackle offers robust construction, advanced electronics, industry leading resolution and accuracy - all at a cost-effective, affordable price.



Part Numbers											
SP	SLB3.25T	SLB6.5T	SLB12T	SLB25T	SLB55T	SLB85T	SLB120T	SLB200T	SLB300T	SLB400T	
Crosby	2789106	2789111	2789103	2789105	2789110	2789112	2789102	2789104	2789107	2789108	
Capacity	3.25te	6.5te	12te	25te	55te	85te	120te	200te	300te	400te	
	7150lb	14300lb	26400lb	55000lb	120000lbs	185000lbs	260000lbs	440000lbs	660000lbs	880000lbs	
Resolution	0.005te	0.005te	0.01te	0.02te	0.05te	0.05te	0.1te	0.2te	0.5te	0.5te	
	10lb	10lb	20lb	50lb	100lb	100lb	200lb	200lb	1000lb	1000lb	
Units	tonne										
	lb										
Weight	2.8kg	3.2kg	8kg	18kg	25kg	45kg	85kg	260kg	405kg	662kg	
	6.16lb	7lb	17.6lb	40lb	55lb	99lb	187lb	573lb	893lb	1459lb	
Safety Factor	5:1 when used with load bobbin										
Operating Temp	-10°C to +50°C or 14°F to 122°F										
Accuracy	±1% of full scale										
Protection	IP67 std [or sub sea as POA option] or NEMA6										
Dimension A	26.9	36.6	51.5	73	82.5	105	127	180	205	230	
	1.06"	1.44"	2.03"	2.87"	3.25"	4.13"	5.00"	7.09"	8.07"	9.06"	
Dimension ØB	19.1	25.4	35.1	51	57	70	82.5	125	150	175	
	0.75"	1.00"	1.38"	2.01"	2.24"	2.76"	3.25"	4.92"	5.91"	6.89"	
Dimension C	56.9	79.7	113	170	189.5	253	319.5	432.2	505	547.7	
	2.24"	3.14"	4.45"	6.69"	7.46"	9.96"	12.58"	17.02"	19.88"	21.56"	
Dimension D	14.46	22.4	31.8	44.5	51	66.5	76	110	120	160	
	0.57"	0.88"	1.25"	1.75"	2.01"	2.62"	2.99"	4.33"	4.72"	6.30"	
Dimension E	42.9	58	82.5	127	164	184	200	280	305	325	
	1.69"	2.28"	3.25"	5.00"	6.46"	7.24"	7.87"	11.02"	12.01"	12.80"	
Dimension H	103.3	148	210	313	348	453	546	738	862	962.6	
	4.07"	5.83"	8.27"	12.32"	13.70"	17.83"	21.50"	29.06"	33.94"	37.90"	
Dimension L	124.2	153.5	193.8	278	303	365	405	519.7	576.7	657.2	
	4.89"	6.04"	7.63"	10.94"	11.93"	14.37"	15.94"	20.46"	22.7"	25.87"	
Dimension N	17.5	24.6	35.1	57	61	79	92	120	140	160	
	0.69"	0.97"	1.38"	2.24"	2.40"	3.11"	3.62"	4.72"	5.51"	6.30"	
Dimension P	140	170	215	290	314	391	438	590	647	755	
	5.51"	6.69"	8.46"	11.42"	12.36"	15.39"	17.24"	23.23"	25.47"	29.72"	
Crosby Shackle	G2130				G2140			S2135			

Compression Load Cell



Features and benefits:

- Compact size
- Environmentally sealed to IP67 or NEMA6
- Optional analogue outputs
- Stainless steel element
- High accuracy
- Lightweight
- Unrivalled resolution
- 10m or 30ft cable supplied as standard (other lengths available)
- Custom versions available
- Design validated by F.E.A.



Requires connection to Crosby | Straightpoint's Handheld plus (HHP) or External Amplifier range (SA-3420) that can be configured to provide outputs such as 4-20mA, 0-10V, 0-5v for PLC or data logger integration.

Manufactured in ranges from 5te to 1000te - other capacities available on application.

Straightpoint compression load cells are manufactured to the same stringent standards as all Straightpoint products.

The bodies are machined from high grade stainless steel, offering excellent strength and anti-corrosion properties. Compression load cells can be supplied with optional loadcaps to protect objects being tested.

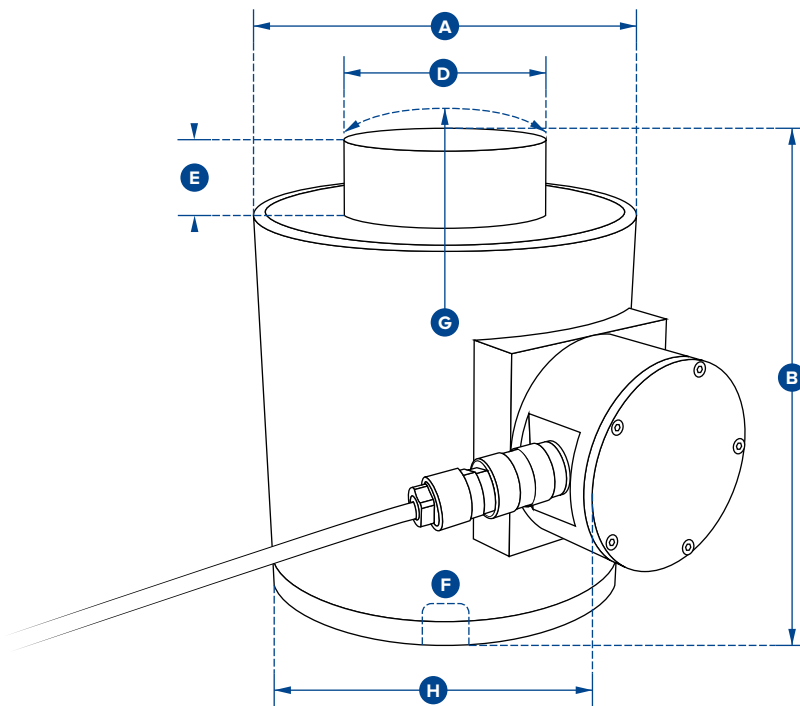
The compact lightweight design provides ease of use and superior portability, allowing Straightpoint compression load cells to be used in a broad range of industries including mining,

energy, defence, heavy rigging, shipping and general transportation sectors.

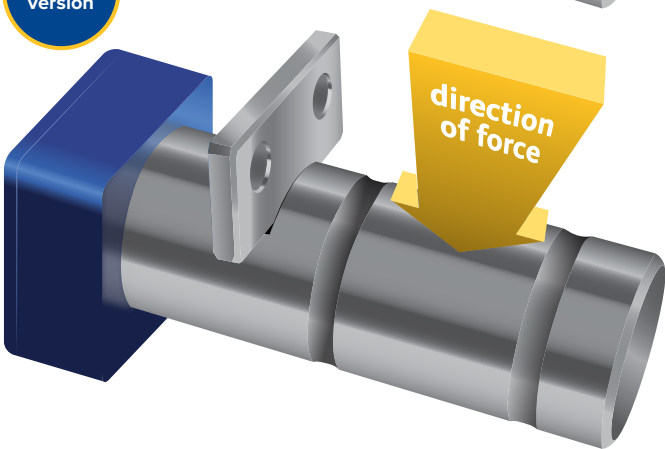
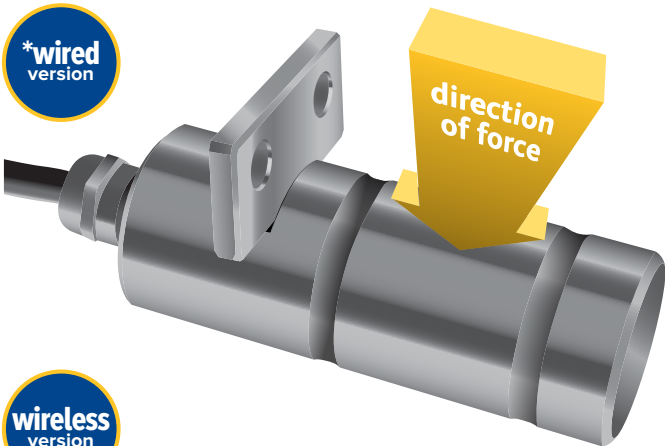
Utilising the same advanced microprocessor based electronics as all Straightpoint products, Straightpoint's compression load cells benefit from high sampling rates, extreme resistance to industrial level noise and unprecedented stability.

This high stability gives this product over 5,000 divisions and the highest standard resolution of any high-capacity compression load cell on the market today.

Like all Straightpoint products, Straightpoint compression load cells offer robust construction, advanced electronics, industry leading resolution and accuracy - all at a cost-effective, affordable price.



Part Numbers									
SP	NI5TC	NI10TC	NI25TC	NI50TC	NI100TC	NI150TC	NI300TC	NI500TC	NI1000TC
Crosby	2789068	2789062	2789065	2789067	2789061	2789063	2789064	2789066	2789275
Capacity	5te 11000lb	10te 22000lb	25te 55000lb	50te 110000lb	100te 220000lb	150te 330000	300te 660000lb	500te 1100000lb	1000te 2200000lb
Resolution	0.001te 2lb	0.002te 5lb	0.005te 10lb	0.01te 20lb	0.05te 100lb	0.05te 100lb	0.1te 200lb	0.2te 500lb	0.5te 1000lb
Units	tonne								
	lb								
Weight	6.2kg 13.64lb	6.2kg 13.64lb	6.2kg 13.64lb	6.2kg 13.64lb	15.5kg 34lb	15.5kg 34lb	65kg 143lb	65kg 143lb	172kg 379lb
Safety Factor	3:1								
Operating Temp	-10°C to +50°C 14°F to 122°F								
Accuracy	±0.1% of full scale								
Protection	IP67 NEMA6								
Dimension ØA	100 3.94"	100 3.94"	100 3.94"	100 3.94"	152 5.98"	152 5.98"	185 7.28"	185 7.28"	362 14.25"
Dimension B	127 5.00"	127 5.00"	127 5.00"	127 5.00"	184 7.24"	184 7.24"	300 11.81"	300 11.81"	310 12.20"
Dimension ØD	59 2.32"	59 2.32"	59 2.32"	59 2.32"	80 3.15"	80 3.15"	155 6.10"	155 6.10"	270 10.63"
Dimension E	16 0.63"	16 0.63"	16 0.63"	16 0.51"	26 1.02"	26 1.02"	27.5 1.08"	27.5 1.08"	40 1.57"
Dimension F	M18 x 2.5	M18 x 2.5	M18 x 2.5	M20 x 2.5	M20 x 2.5	M20 x 2.5	M20 x 2.5	M20 x 2.5	M30 x 3.5
Dimension G	152 5.98"	152 5.98"	152 5.98"	152 5.98"	432 17.01"	432 17.01"	432 17.01"	432 17.01"	950 37.40"
Dimension H	158 6.22"	158 6.22"	158 6.22"	158 6.22"	204 8.03"	204 8.03"	237 8.03"	237 8.03"	416 16.38"



Applications:

- Marine tankers, offshore platforms
- Elevator and floor conveyor testing and certification
- Bearing blocks, pivots and shackles
- Cable laying equipment
- Rope, chain and brake anchors
- Bridge support cables
- Mooring lines
- Pulleys and sheaves
- Crane cables
- Hoisting gear
- Winches
- Design validated by F.E.A.

Please note: Please advise cable configuration on order - Radial or Axial pin exit.
If you require a Loadpin to a particular size and design, download Straightpoint's Loadpin questionnaire and return, POA. www.straightpoint.com/loadpin.html



Requires connection to Crosby|Straightpoint's Handheld plus (HHP) or External Amplifier range (SA-3420) that can be configured to provide outputs such as 4-20mA, 0-10v, 0-5v for PLC or data logger integration.

The Straightpoint range of Load Measurement Pins (LMP's) are designed for use in applications where an end of line load cell cannot be used, meaning an integrated solution is required.

Often a customised solution, they are manufactured from high tensile stainless steel and are normally supplied complete with an anti-rotation plate as a cabled or wireless solution.

Built to withstand the harshest environments in industries such as marine and offshore oil and gas, they are suitable for use in exposed situations and can also be supplied to withstand immersion in seawater at extreme depths.

Straightpoint Loadpins are typically connected to Straightpoint's Handheld plus, or may be supplied with a vast array of output formats. These include mV/V, RS-422, RS-485, utilising the ASCII, MODBUS RTU and CAN-BUS protocols or an analogue output such as 4-20mA for PLC integration. All are also supplied with a 10 metre or 32ft cable as standard, however, usable cable length varies greatly with lengths available to 1500 metres or 4900ft, depending on output format.

Please email your enquiry to: sales@straightpoint.com

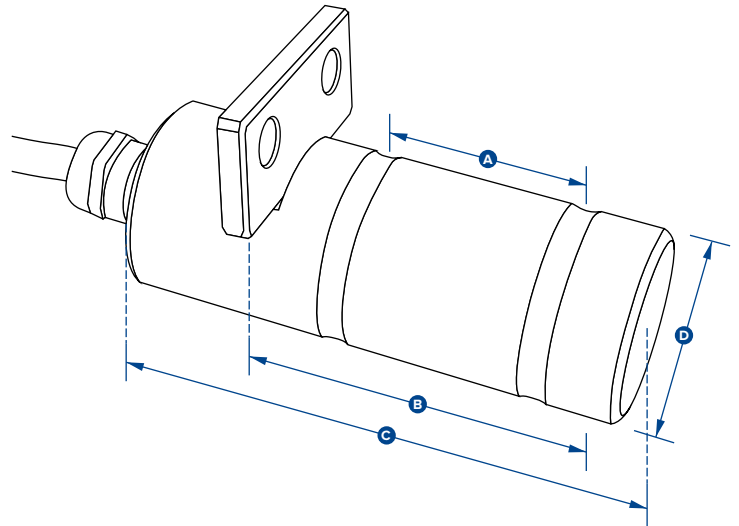
Also available with hazardous area approval. Zones 0, 1 & 2



ATEX / IECEX
Ex ia II C T4 Ga

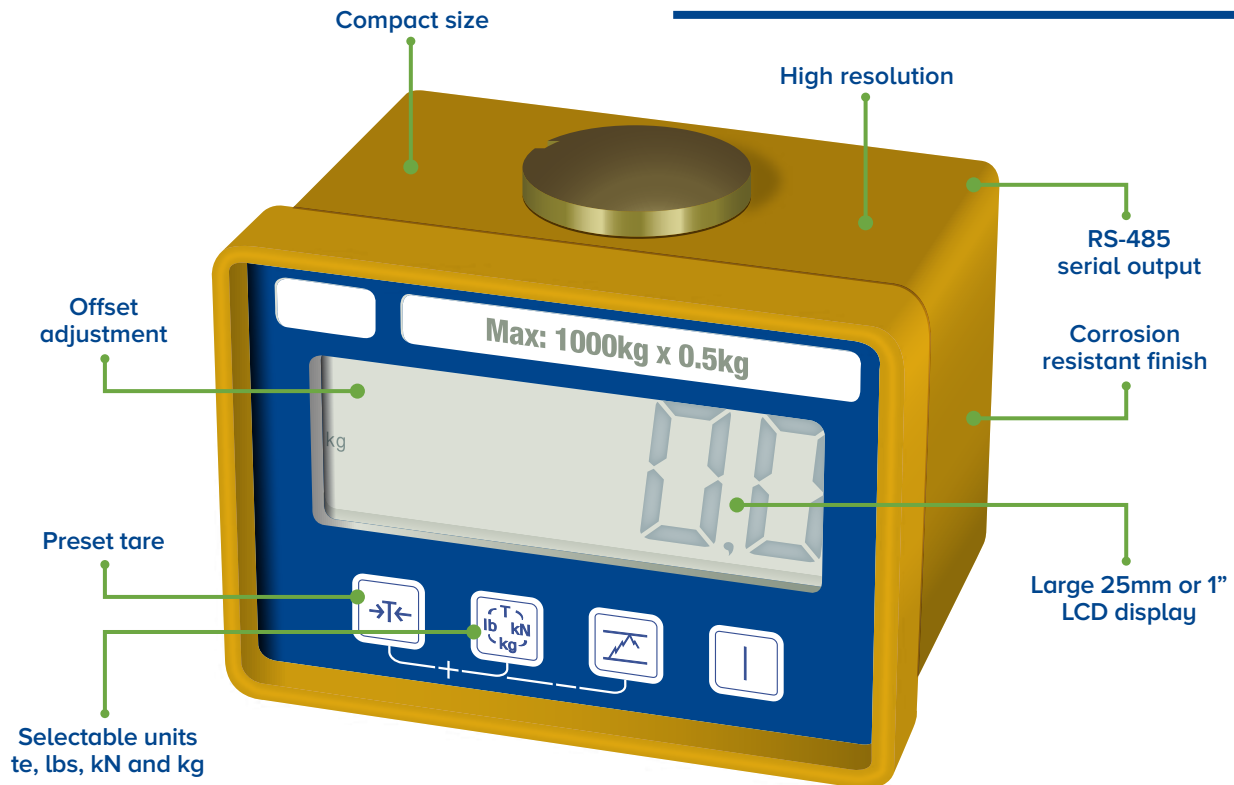
Certification numbers:
LP ATEX
 IECEx SIR 16.0041X / Sira 16ATEX2108X
SW-HHP ATEX
 IECEx SIR 15.0072X / Sira 15ATEX2196X

Add 'ATEX' to the part number when ordering ATEX/IECEX products. For example: LP500KG-ATEX



Part Numbers														
SP	LP500KG	LP1T	LP2.5T	LP3.5T	LP6.5T	LP15T	LP25T	LP50T	LP100T	LP250T	LP500T	LP750T	LP1000T	LP1500T
Crosby	2789276	2789277	2789278	2789279	2789280	2789281	2789282	2789283	2789284	2789285	2789286	2789287	2789288	2789289
Capacity	500kg 1100lb	1000kg 2200lb	2.5te 5500lb	3.5te 7700lb	6.5te 14000lb	15te 33000lb	25te 55000lb	50te 110000lb	100te 220000lb	250te 550000lb	500te 1100000lb	750te 1650000lb	1000te 2200000lb	1500te 3300000lb
Resolution	0.2kg 0.5lb	0.5kg 1lb	0.001te 2lb	0.001te 2lb	0.002te 5lb	0.002te 5lb	0.005te 10lb	0.01te 20lb	0.05te 100lb	0.1te 200lb	0.2te 500lb	0.2te 500lb	0.5te 1000lb	0.5te 1000lb
Units	kgs, tonnes													
	lbs													
Weight	0.9kg 0.4lb	1kg 0.5lb	1.2kg 0.9lb	1.4kg 1.3lb	2kg 2.6lb	3.1kg 5lb	5.6kg 10.3lb	8.6kg 18lb	11.8kg 24lb	29.8kg 64lb	79.2kg 172lb	146kg 319lb	275kg 603lb	389kg 854lb
Safety Factor	300% of SWL													
Operating Temp	-20°C to +70°C													
	-4°F to 158°F													
Accuracy	±1% of full scale													
Protection	IP67 [IP68 available as an option]													
	NEMA6 [NEMA6P available on application]													
Dimension A	24 0.94"	35 1.38"	45 1.77"	50 1.97"	63 2.48"	75 2.95"	89 3.50"	102 4.02"	110 4.33"	130 5.12"	225 8.86"	295 11.61"	360 14.17"	430 16.93"
Dimension B	36 1.42"	49 1.93"	70 2.76"	75 2.95"	95 3.74"	114 4.49"	152 5.98"	178 7.01"	190 7.48"	220 8.66"	370 14.57"	500 19.69"	612 24.09"	731 28.78"
Dimension C	70 2.76"	80 3.15"	100 3.94"	105 4.13"	125 4.92"	150 5.91"	195 7.68"	225 8.86"	230 9.06"	300 11.81"	440 17.32"	590 23.23"	712 28.03"	832 32.76"
Dimension ØD	20 0.79"	20 0.79"	25 0.98"	30 1.18"	40 1.57"	50 1.97"	63 2.48"	75 2.95"	88 3.46"	125 4.92"	170 6.69"	200 7.87"	250 9.84"	275 10.83"

Loadblock plus



The Loadblock plus is a low capacity, self-indicating compression load cell, used in many testing and load monitoring applications worldwide.

The integral display eliminates the need for a separate display or cable assembly that can be easily damaged. Applications include the measurement of loads associated with the testing of hydraulic presses, cylinders or jacks.

This latest version of Straightpoint's Loadblock has advanced features and benefits that provide solutions for today's complicated load test, as well as force monitoring needs. Features include full function push button controls for tare, units of measure (lbs, kg, kN and tonnes), peak hold, pre-set tare, audible set-point alarm and an overload counter.

This crucial overload alarm counter is a requirement for many safety and quality control departments, as it keeps track of overload events. Should this occur, the load cell in question can be removed from service immediately, following the calibration-voiding overload event. It can then be sent out for proper testing and, if necessary, a recalibration can be done before it re-enters service.

The advanced microprocessor based electronics provide the Loadblock plus with high speed read rates (500/sec), extreme

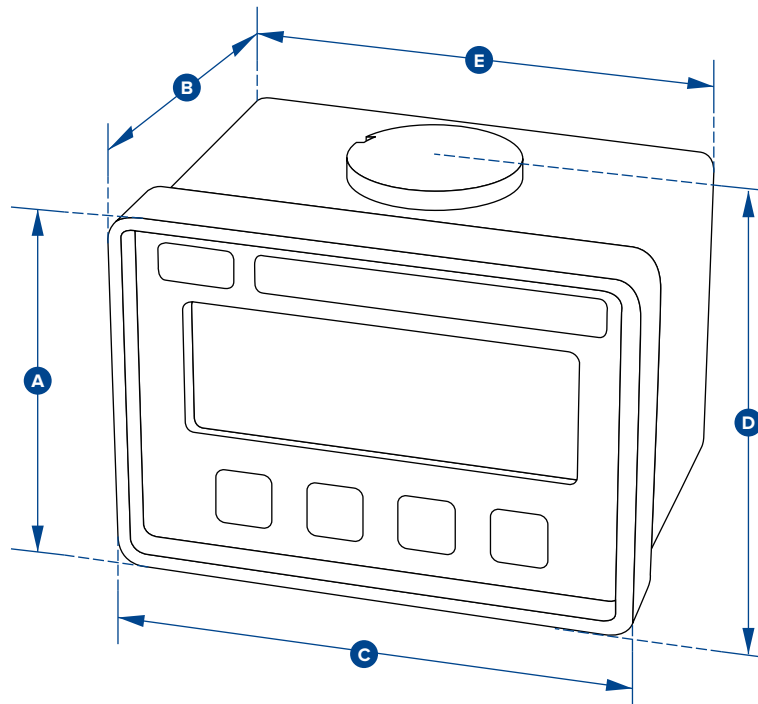
resistance to industrial level noise and unprecedented stability.

This high stability provides the Loadblock plus with 5,000+ divisions and the highest standard resolution of any self-indicating compression load cell on the market today.

The unit also features a RS-485 serial output port allowing for remote viewing with either the Handheld plus digital display/controller or Windows PC desktop controller data logging software.

Features and benefits:

- Large 25mm or 1" LCD Display
- High resolution
- 100Hz Peak hold
- Compact size
- Push button tare
- Preset tare
- RS485 port for connection to datalogging system
- Selectable units te, lbs, kN and kg



Part Numbers	LBP250KG		LBP500KG		LBP1T		LBP2T		LBP5T		
SP	2789035		2789037		2789034		2789036		2789038		
Crosby	2789035		2789037		2789034		2789036		2789038		
Capacity	250kg	500kg	1te	2te	5te						
	550lb	1100lb	2200lb	4400lb	11000lb						
Resolution	0.1kg	0.2kg	0.0005te	0.001te	0.001te						
	0.2lb	0.5lb	1lb	2lb	2lb						
Units	t, kg, kN and lb										
	lb, te, kN and kg										
Weight	900g	900g	900g	1.5kg	3.1kg						
	2lb	2lb	2lb	3.3lb	6.8lb						
Safety Factor	4:1	5:1	5:1	5:1	5:1						
Battery Type	9v PP3										
Battery Life	80hrs continuous										
Display Type	6 digit 25mm LCD or 6 digit 1" LCD										
Operating Temp	-10°C to 50°C or 14°F to 122°F										
Accuracy	±0.1% of full scale										
Protection	IP65 or NEMA4X										
Dimension A	81	81	81	92	92						
	3.19"	3.19"	3.19"	3.62"	3.62"						
Dimension B	81	81	81	117	136						
	3.19"	3.19"	3.19"	4.61"	5.35"						
Dimension C	113	113	113	112	112						
	4.45"	4.45"	4.45"	4.41"	4.41"						
Dimension D	90	90	90	104	115						
	3.54"	3.54"	3.54"	4.09"	4.53"						
Dimension E	104	104	104	Not available in this capacity							
	4.09"	4.09"	4.09"								

Miniweigher plus



Features and benefits:

- Large 25mm or 1" LCD Display
- High Accuracy
- Selectable Units te, lbs, kN & kg
- High Resolution
- Compact Size
- Tare
- Preset Tare
- Lightweight
- Overload Counter
- 90dB Audible Set Point Alarm
- RS-485 Serial Output
- Corrosion-Resistant Finish

Optional connection to Straightpoint's Handheld plus - **SP Crosby** Part Nos. **HHP 2789030**
See page 22.

This small and compact mini crane weigher scale will suit most lifting applications and is available in capacities from 100kg to 5t.

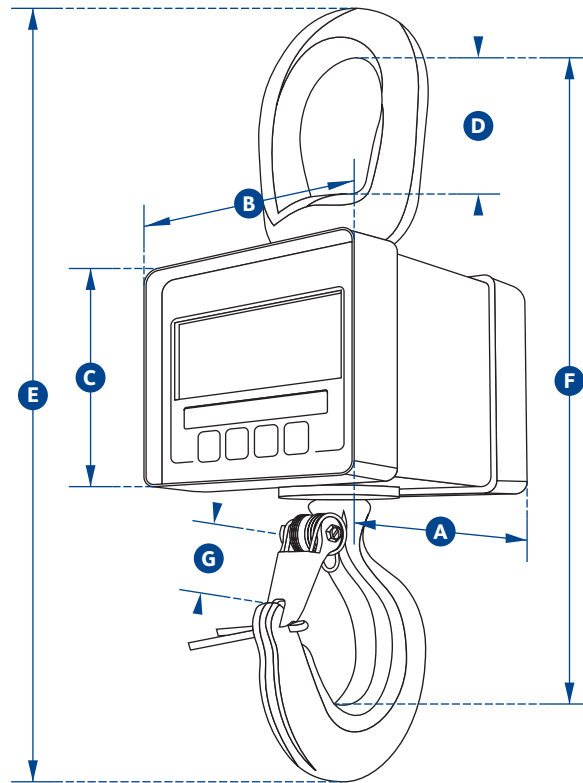
Worldwide, it is Straightpoint's most popular product and has been manufactured since 1987. The Miniweigher plus crane scale offers robust construction, high accuracy, compact size and extreme portability.

Utilised by utility companies on every continent, the Miniweigher plus crane scale is quite often mounted between a winch and a tripod. This mounting point allows for load monitoring to be integrated within the lift, ensuring safety levels during the lowering and raising of equipment and/or personnel are optimised. It has proven itself to be an indispensable tool for underground sewer, water, gas and utility vault access.

The Miniweigher plus features full function push button controls for tare, choice of units (lbs, kg, kN and tonnes), peak hold, preset tare, audible set-point alarm and an overload counter.

Straightpoint's advanced microprocessor based electronics provide the Miniweigher plus with high speed read rates, extreme resistance to industrial level noise and unprecedented stability. This high stability allows 5,000+ divisions and the highest standard resolution of any compact digital crane scale on the market today. The unit also features a RS-485 serial output providing added functionality and versatility.

In all, the lightweight design, corrosion-resistant finish, advanced electronics and full feature display have made the Miniweigher plus crane scale the only choice when looking for a compact, safe and accurate, crane scale.



Part Numbers	MWP100KG	MWP250KG	MWP500KG	MWP1T	MWP2T	MWP5T
SP						
Crosby	2789055	2789057	2789059	2789056	2789058	2789060
Capacity	100kg 220lb	250kg 550lb	500kg 1100lb	1000kg 2200lb	2t 4400lb	5t 11000lb
Resolution	0.05kg 0.1lb	0.1kg 0.2lb	0.2kg 0.5lb	0.5kg 1lb	0.001t 2lb	0.001t 2lb
Units	t, kg, kN and lb lb, t, kg and kN					
Weight	1.5kg 3.3lb	1.5kg 3.3lb	1.5kg 3.3lb	1.5kg 3.3lb	3.1kg 6.8lb	8.7kg 19.2lb
Safety Factor	10:1	5:1	5:1	5:1	5:1	5:1
Battery Type	9v PP3					
Battery Life	80 hours continuous					
Display Type	6 digit 25mm LCD or 6 digit 1" LCD					
Operating Temp	-10°C to +50°C or 14°F to 122°F					
Accuracy	±0.1% of full scale					
Protection	IP65 or NEMA4X					
Dimension A	82 3.23"	82 3.23"	82 3.23"	82 3.23"	117 4.61"	136 5.35"
Dimension B	113 4.45"	113 4.45"	113 4.45"	113 4.45"	112 4.41"	112 4.41"
Dimension C	81 3.19"	81 3.19"	81 3.19"	81 3.19"	92 3.62"	92 3.62"
Dimension D	50 1.97"	50 1.97"	50 1.97"	50 1.97"	64 2.52"	98 3.86"
Dimension E	240 9.45"	240 9.45"	240 9.45"	240 9.45"	320 12.60"	444 17.48"
Dimension F	208 8.19"	208 8.19"	208 8.19"	208 8.19"	271 10.67"	365 14.37"
Dimension G	22 0.87"	22 0.87"	22 0.87"	22 0.87"	28 1.10"	42 1.65"

Accreditations/Affiliations

Accreditations

Third party accreditation communicates to our customers and prospects that we comply with internationally recognised standards, building confidence whilst demonstrating our commitment to safety and quality.



FM 584438

ISO 9001 is the internationally recognised standard for the quality management of businesses. Our BSI accreditation means that we have been assessed against internationally recognised standards and operate to the highest levels of quality and service, providing further assurance to you that the certificate issued to us is credible.



Founded in 1906, the IEC (International Electrotechnical Commission) is the world's leading organisation for the preparation and publication of International Standards for all electrical, electronic and related technologies. These are known collectively as "electrotechnology".



Ex/IECEx approval on Straightpoint wireless product range, all connected to the first of its kind. Hand Control SW-HHPEX, Radiolink plus, Loadshackle, Compression Load Cell, Loadpin and Running Line Tensiometer.



All Straightpoint products are CE marked. CE is an abbreviation of the French phrase "Conformité Européene" which means "European Conformity". CE Marking on a product is our declaration that the product complies with the essential requirements of the relevant European health, safety and environmental protection legislation.



DNV GL enables organisations to advance the safety and sustainability of their business, providing them with classification, technical assurance, software and independent expert advisory services to the maritime, oil and gas and energy industries. Operating in more than 100 countries, their professionals are dedicated to helping customers make the world safer, smarter and greener.

Affiliations



LEEA is established across the globe as the respected and authoritative representative body for all those involved in the lifting industry worldwide, representing their members at the highest levels across a range of both public and private bodies. The association has played a key role in this specialised field for over 70 years, from training and standards setting through to health and safety, the provision of technical and legal advice, and the development of examination and licensing systems.



ASME is the leading international developer of codes and standards associated with the art, science, and practice of mechanical engineering. Starting with the first issuance of its legendary Boiler & Pressure Vessel Code in 1914, ASME's codes and standards have grown to nearly 600 offerings currently in print. These offerings cover a breadth of topics, including pressure technology, nuclear plants, elevators / escalators, construction, engineering design, standardisation, and performance testing.



AWRF was formed in 1975 and incorporated the following year by a group of concerned businessmen who felt there was a need for sling fabricators and special rigging components manufacturers to join together to form a trade association. Originally created by representatives from nine companies in the United States, in two decades the organisation grew to concentrate on the needs of over 400 member companies worldwide.



SC&RA is an international trade association of nearly 1,300 member companies from 43 nations. Members are involved in specialised transportation, machinery moving and erecting, industrial maintenance, millwrighting, crane and rigging operations, manufacturing and rental. It helps run more efficient and safer businesses by monitoring and affecting pending legislation and regulatory policies at the state and national levels; researching and reporting on safety concerns and best business practices.



construction

Tower cranes weighing materials with a digital dynamometer, using compression load cells to monitor piling loads, testing of reinforced steelworks or real-time monitoring of building load distribution are all applications where Straightpoint can offer a load monitoring solution.

Straightpoint's range of wireless tension and compression load cells connected to our impressive range of handheld displays or multi Load cell data logging or centre of gravity software are used throughout the worldwide construction industry on a daily basis.

logistics

From simple logistics and shipping weighing to measuring forces on mooring tension lines, Straightpoint have a solution. Products are IP rated and constructed from marine-grade materials to ensure that they remain accurate, reliable and most importantly, safe for use.

For weighing up to 5t the Miniweigher plus is the go-to compact crane scale for safe and accurate weighing. Straightpoint's bestselling Radiolink plus takes care of the heavier lifts, allowing the operator to safely stand at distance of 700m or 2300 feet from the load.

For moving lines with no dead end to rig a digital dynamometer, the TIMH dynamic load monitoring system will measure tension in motion and display either via cable or wirelessly to the monitoring station.

oil and gas

In the oil and gas centres of Scotland, Scandinavia and the gulf states of the USA the Radiolink plus load cell, along with the new addition of the Radiolink Plus ATEX / IECEx, are the industry standard for weighing and dynamic load monitoring applications.

For lower headroom applications our wireless load shackles are also the first choice for service trucks and riggers in the oilfields. A rugged handheld display with easy to change AA batteries, no external antennae and industry leading wireless range allow the operator to stand at a safe distance in the most hazardous areas up to zone 0.

utilities

Utility companies across the globe all use Straightpoint products.

Power line tensioning, pump station maintenance and critical lift monitoring are all applications for Straightpoint's range of load cells. No utility service truck is complete without a Straightpoint product in its kit.

marine

For offshore, subsea and general marine applications Straightpoint have a range of Running Line Dynamometers, Loadshackles and Shear Pin load cells. Straightpoint's Loadshackles and Loadpin products can be manufactured for subsea use if required and output options such as 4-20mA or Modbus.

For mooring, cable laying and winch applications, the TIMH running line dynamometer can be used to measure both tension and line out.

heavy lift

When large industrial items such as absorbers, generators, turbines, reactors, boilers, towers, locomotives, boats, military equipment or offshore industry parts such as oil rigs and production platforms have to be moved on short lead times, heavy lift companies need large capacity load cells.

For many heavy lift projects there is an absence of standardisation which requires an individual transport planning and with a range of tension and compression load cells and software including an ISO19901 compliant centre of gravity software package in stock and ready to ship Straightpoint's commitment to the heavy lift industry is second-to-none.

towage and salvage

Load monitoring is essential in the marine, towing and mooring industries as ever changing sea states create unknown and variable loads.

stage and event rigging

With safety in mind, Straightpoint has a range of stage and event rigging load cells. The load shackle and low headroom link are specifically useful where there is little head room space.

Up to 100 load cells can be connected to the wireless load shackle via Straightpoint's software SW-MWLC100 for more complex applications.

testing

Load testing with water bags, other weights or fixed load points are ideal applications for the Straightpoint range of load cells.

Straightpoint's Radiolink plus, Wireless shackle load cells or compression load cells, used in parallel with the Proof Test plus software package, testing can be performed at a safe distance. All dynamic and static forces are logged onto a test certificate for later analysis and client approval.



the Crosby group[®]

Unit 9, Dakota Park, Downley Road, Havant, Hampshire, PO9 2NJ UK · Tel: +44 (0)2392 484491
2801 Dawson Road, Tulsa, OK 74110 · USA · Tel: +1 (918) 834-4611

www.straightpoint.com · sales@straightpoint.com

thecrosbygroup.com

Part No. SU3697 v7 - 9992530