



LONG LIFT CRANES

Model SC1000-10

Bases Sold
Separately
5BP10



Made in the USA



ISO
9001:2008
REGISTERED



LEAVE THE HEAVY LIFTING TO US

CONFIGURATIONS



CRANE

- 115v Electric Winch Operation
- Powder Coat Corrosion Resistant Finish
- Easy Ratchet Boom Adjustment
- Easy Assembly/Disassembly



WIRE ROPE Assembly (sold separately)

Crane Information

Wire Rope Information

Crane Model	Lift Below Floor	Line Speed	Load Rating	Wire Rope Model No.	Wire Rope Diameter
SC500-40	105 ft	34-56 fpm	500 lbs	WA19-125DS	3/16 in.
SC1000-10	215 ft	8-17 fpm	1000-500 lbs*	WA19-235DS	3/16 in.
	125 ft	8-17 fpm	1000-500 lbs*	WA25-145DS	1/4 in.
SC1000-15	130 ft	13-22 fpm	1000-500 lbs*	WA19-150DS	3/16 in.
	65 ft	13-22 fpm	1000-500 lbs*	WA25-85DS	1/4 in.
SC1000L-10	215 ft	8-17 fpm	1000 lbs	WA19-235DS	3/16 in.
	125 ft	8-17 fpm	1000 lbs	WA25-145DS	1/4 in.
SC1000L-15	130 ft	13-22 fpm	1000 lbs	WA19-150DS	3/16 in.
	65 ft	13-22 fpm	1000 lbs	WA25-85DS	1/4 in.
SC2000-15	270 ft	8-17 fpm	2000-1000 lbs*	WA25-290DS	1/4 in.
	175 ft	8-17 fpm	2000-1000 lbs*	WA31-195DS	5/16 in.
SC2000L-15	390 ft	8-20 fpm	2000-1000 lbs*	WA25-410DS	1/4 in.
	240 ft	8-20 fpm	2000-1000 lbs*	WA31-260DS	5/16 in.

*Load rating is dependent on boom setting.

BASES (sold separately)

Select the appropriate base(s) for your application from the chart below. Matching your crane with multiple bases provides optimal worksite flexibility and an economical solution for servicing multiple lift stations.

Mounting Options

Crane Series	Model	Style	Finish
SC500 SC1000	5BP10	Pedestal Mount	Powder Coat
	5BF10	Socket Mount	Powder Coat
	5BW10	Wall Mount	Powder Coat
SC1000L SC2000/2000L	5BP20	Pedestal Mount	Powder Coat
	5BF20	Socket Mount	Powder Coat
	5BW20	Wall Mount	Powder Coat



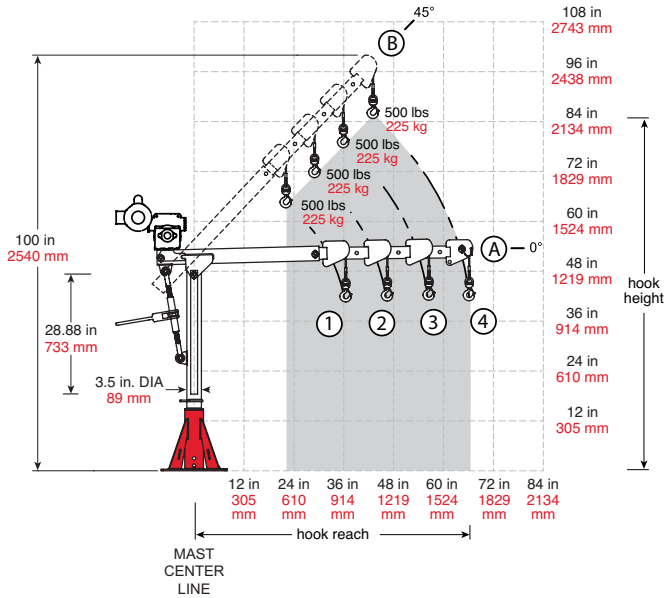
These products are not for lifting people or things over people.

IMPORTANT:

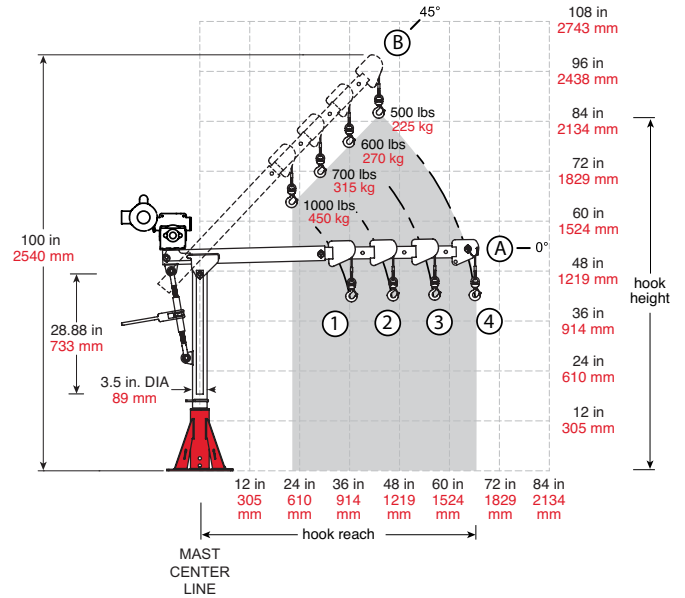
It is the owner or operator's responsibility to determine the suitability of the equipment to its intended use. Study all applicable codes, manuals and regulations. Be sure to read the Owner's Manual supplied with the equipment before operating it.

PERFORMANCE

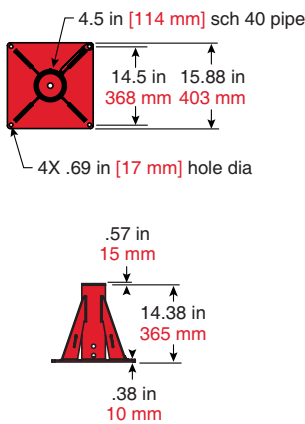
SC500-40



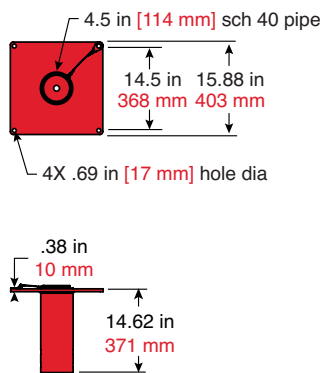
SC1000-10, SC1000-15



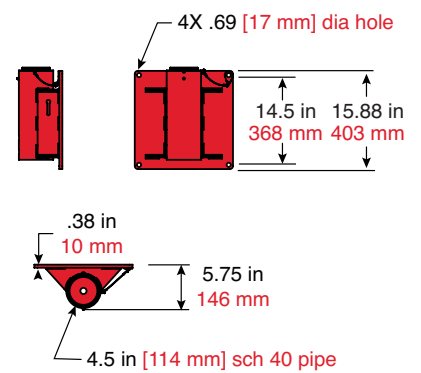
Pedestal Base 5BP10



Flush Base 5BF10



Wall-Mount Base 5BW10



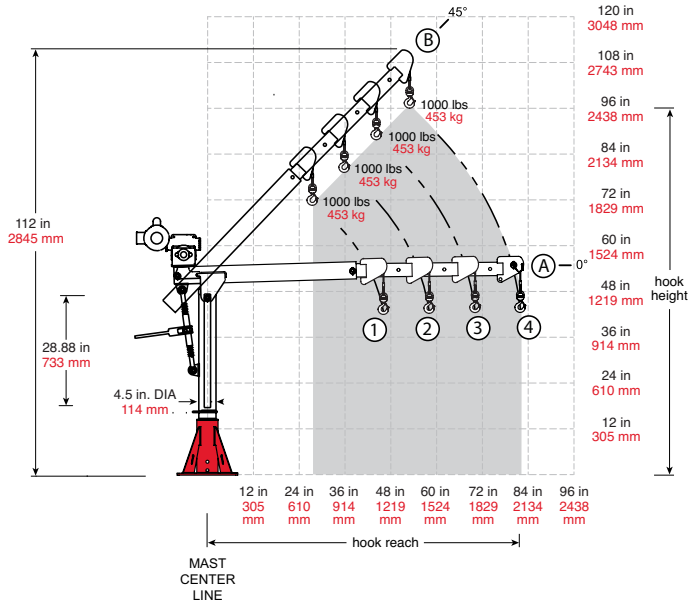
These products are not for lifting people or things over people.

IMPORTANT:

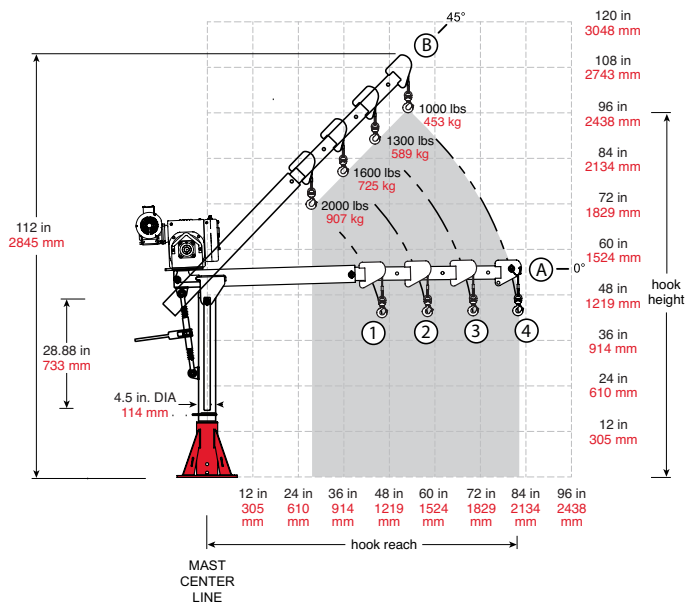
It is the owner or operator's responsibility to determine the suitability of the equipment to its intended use. Study all applicable codes, manuals and regulations. Be sure to read the Owner's Manual supplied with the equipment before operating it.

PERFORMANCE

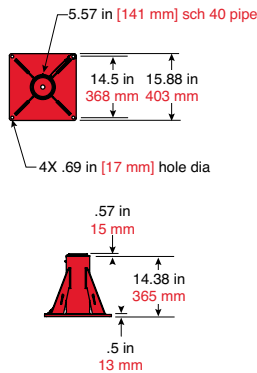
SC1000L-10 SC1000L-15



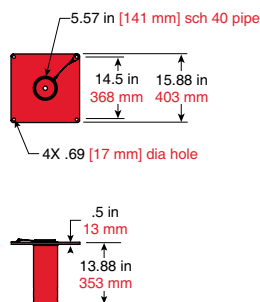
SC2000-15 SC2000L-15



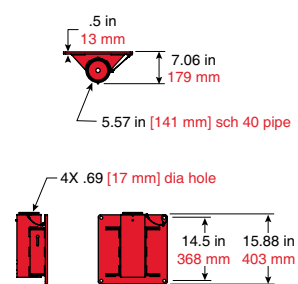
Pedestal Base 5BP20



Flush Base 5BF20



Wall-Mount Base 5BW20



MADE IN USA

World-Wide
Distribution

Bishop Lifting Products, Inc.
125 McCarty Dr.
Houston, TX 77029
713-674-2266
www.Lifting.com

B Bishop Lifting
Products, Inc.
www.Lifting.com